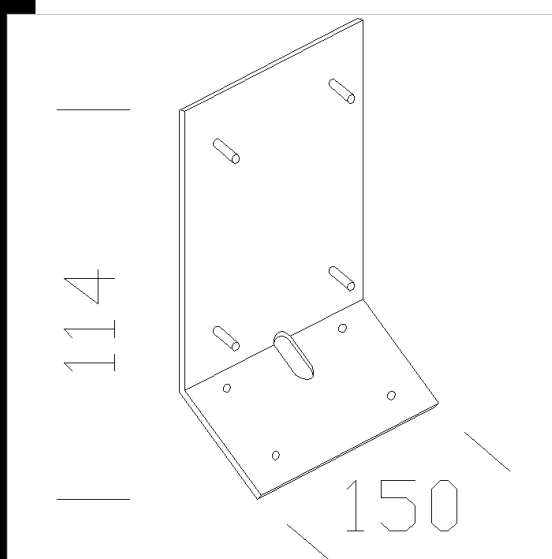
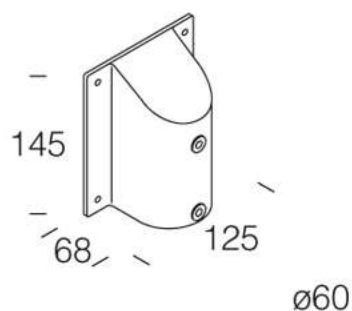


89 Ø60 pole mounting

In die-cast aluminium.
Adapter used to mount on a Ø60 pole.

Download

DXF 2D
- acc_85_lord.dxf



Code	Kg	WTot	Colour
991214-00	0,00	0 W	GRAPHITE

Pali



- 5 fiberglass pole

Prodotti



- 1560 Lord - with grid



- 1560 Lord asymmetric- with grid



- 1757 Lord - LED Bulb

The reported luminous flux is the flux emitted by the light source with a tolerance of $\pm 10\%$ compared to the indicated value. The W tot column indicates the total wattage absorbed by the system without exceeding 10% of the indicated