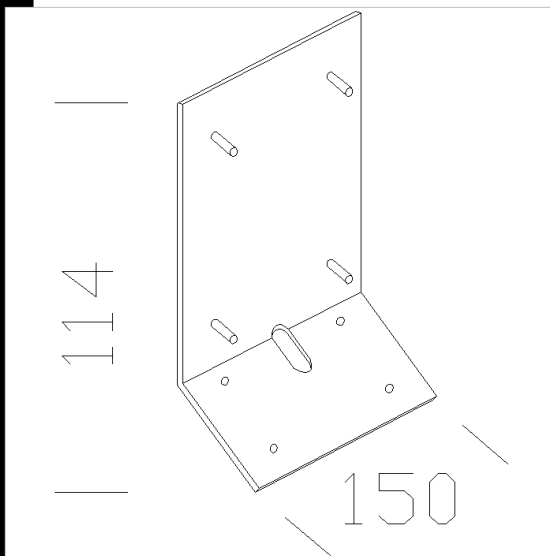
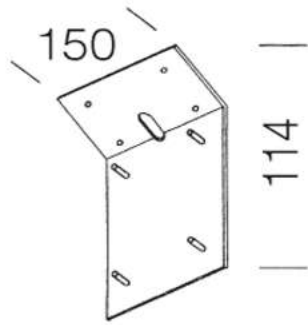




85 plate 45°

For the installation of Lord glass front wall parallel to the ground



Code	Kg	WTot	Colour
991210-00	0.62	0 W	GRAPHITE

Products



- 1560 Lord - with grid



- 1560 Lord asymmetric- with



- 1757 Lord - LED Bulb

The reported luminous flux is the flux emitted by the light source with a tolerance of  $\pm 10\%$  compared to the indicated value. The W tot column indicates the total wattage absorbed by the system without exceeding 10% of the indicated