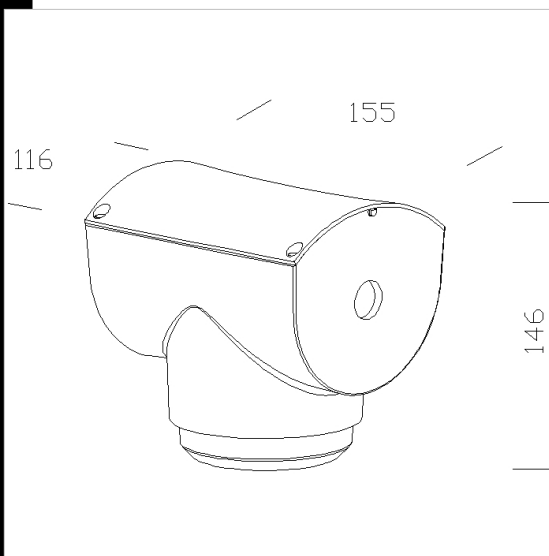


102 two-lamp pole mounting unit - Twin

aluminum diecast. Always use that column double Ø102 installation.

Download

DXF 2D
- 102.dxf



Code	Kg	WTot	Colour
991205-00	1.21	0 W	GRAPHITE
991204-00	1.21	0 W	GREY9007

Products



- 1286 Twin LED



- 1283 Twin

The reported luminous flux is the flux emitted by the light source with a tolerance of $\pm 10\%$ compared to the indicated value. The W tot column indicates the total wattage absorbed by the system without exceeding 10% of the indicated