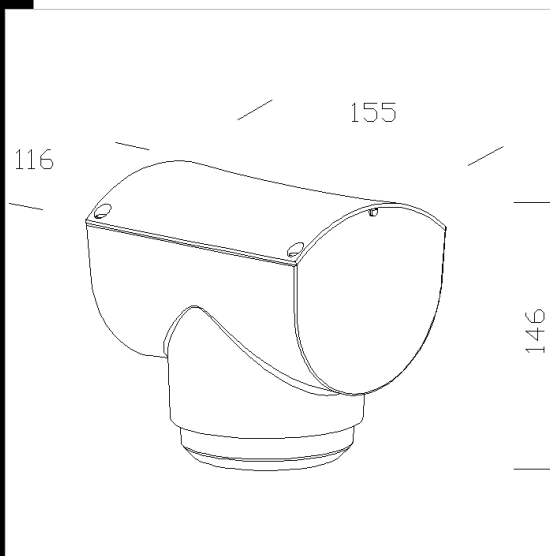


101 single-lamp pole mounting unit - Twin

aluminum diecast. Always use that column single Ø102 installation.



Code	Kg	WTot	Colour
991202-00	1.21	0 W	GREY9007
991203-00	1.21	0 W	GRAPHITE

Products



- 1286 Twin LED



- 1283 Twin

The reported luminous flux is the flux emitted by the light source with a tolerance of $\pm 10\%$ compared to the indicated value. The W tot column indicates the total wattage absorbed by the system without exceeding 10% of the indicated