

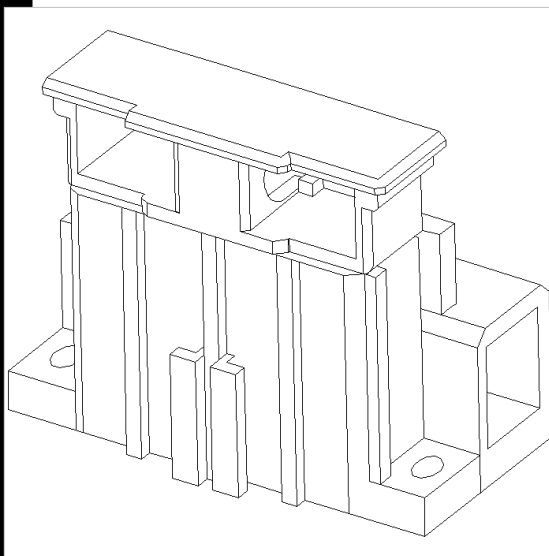
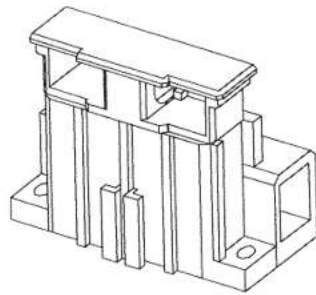
203 Fuse

3.15A fuse. With fuse holder to be installed inside the fixture.



Download

DXF 2D
- acc_203_portafusibile.dxf



Code	Kg	WTot
984814-00	0,01	0 W

Prodotti

 - 863 Comfort 65° T5 - high-gloss	 - 877 Comfort T8 - matt scored	 - 865 Comfort 65° T5 - matt	 - 865 Comfort 65° T8 - matt
 - 874 Comfort T8 - high-gloss 99.99	 - 864 Comfortlight T8 - high-gloss 99.85	 - 864 Comfortlight T5 - high-gloss 99.85	 - 875 Comfort T8 - matt 99.99
 - 873 Comfort T8 - high-gloss 99.99	 - 850 Minicomfort T5 high-gloss 99.99	 - 853 Minicomfort T5 high-gloss 99.85	 - 873 Comfort T5 - high-gloss 99.99
 - 875 Comfort T5 - matt 99.99	 - 860 Comfortlight T8 - matt 99.85	 - 860 Comfortlight T5 - matt 99.85	 - 863 Comfort 65° T8 - high-gloss 99.85

The reported luminous flux is the flux emitted by the light source with a tolerance of $\pm 10\%$ compared to the indicated value. The W tot column indicates the total wattage absorbed by the system without exceeding 10% of the indicated