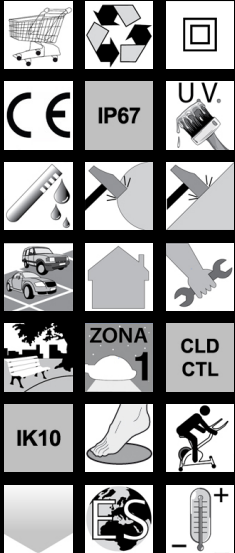


1819 Quadro di luce a LED

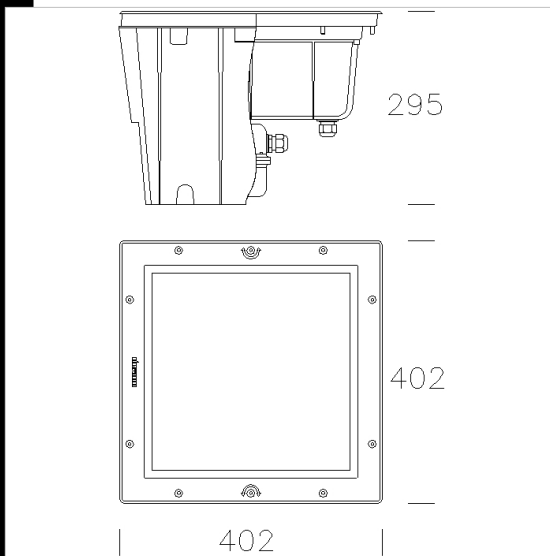


Housing: in die-cast aluminium with silver powder coating.
 Frame: AISI 304 stainless steel.
 Outer casing: nylon outer casing and terminal block. Separate wiring to reduce thermal shock on the components and to simplify the installation.
 Diffuser: internal tempered glass, 5 mm thick, resistant to thermal shock.
 External tempered glass, 15 mm thick, resistant to thermal shock and mechanical stress up to 2000 Kg (non-slip version available upon request).
 Electric gear: 230V/50Hz power supply. Nylon gear box with 4P 4 sq mm terminal block. Provision for in-out wire, 1/2 inch nylon cable glands and 1 sq mm section double insulation wire.
 Standard supply: silicone rubber gaskets.
 Regulations: Produced according to applicable EN60598-1 CEI 34-21 standards, degree of protection according to EN 60529 standards.



Download

- DXF 2D
- 1819.dxf
- Montaggi
- quadro_1816-7-8-9.pdf
- quadro.pdf



Code	Gear	Kg	Lumen Output-K-CRI	WTot	Colour
530990-00	CLD CELL	13.00	LED-663lm-116mA-4000K-	29 W	INOX

Accessories



- 1825 Nomade

The reported luminous flux is the flux emitted by the light source with a tolerance of ± 10% compared to the indicated value. The W tot column indicates the total wattage absorbed by the system without exceeding 10% of the indicated