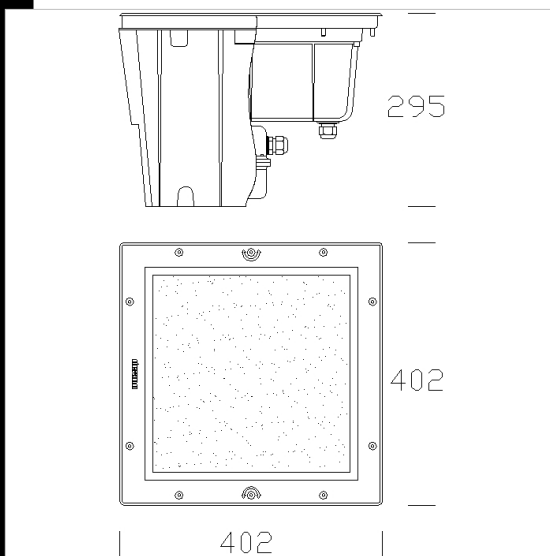


1818 Quadro - Energy saving



Housing: in die-cast aluminium with silver powder coating.
 Frame: AISI 304 stainless steel.
 Outer casing: nylon outer casing and terminal block. Separate wiring to reduce thermal shock on the components and to simplify the installation.
 Diffuser: internal tempered glass, 5 mm thick, resistant to thermal shock.
 External tempered glass, 15 mm thick, resistant to thermal shock and mechanical stress up to 2000 Kg (non-slip version available upon request).
 Electric gear: 230V/50Hz power supply. Nylon gear box with 4P 4 sq mm terminal block. Provision for in-out wire, 1/2 inch nylon cable glands and 1 sq mm section double insulation wire.
 Standard supply: silicone rubber gaskets.

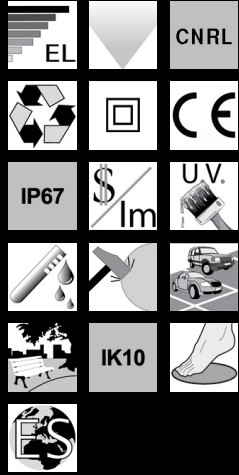


Code	Gear	Kg	Lumen-K-CRI	WTot	Base	Colour
530980-00	CNR-L	8.00	FLC 2x18L-1200lm-4000K-Ra 1b	42 W	2G11	STAINLESS STEEL

Accessories



- 1825 Nomade



Download

DXF 2D
- 1818.dxf

Montaggi
- quadro_1816-7-8-9.pdf

The reported luminous flux is the flux emitted by the light source with a tolerance of $\pm 10\%$ compared to the indicated value. The W tot column indicates the total wattage absorbed by the system without exceeding 10% of the indicated