

1812 Quadro - narrow beam

Housing: in die-cast aluminium with silver powder coating.

Frame: AISI 304 stainless steel.

Outer casing: nylon outer casing and terminal block. Separate wiring to reduce thermal shock on the components and to simplify the installation.

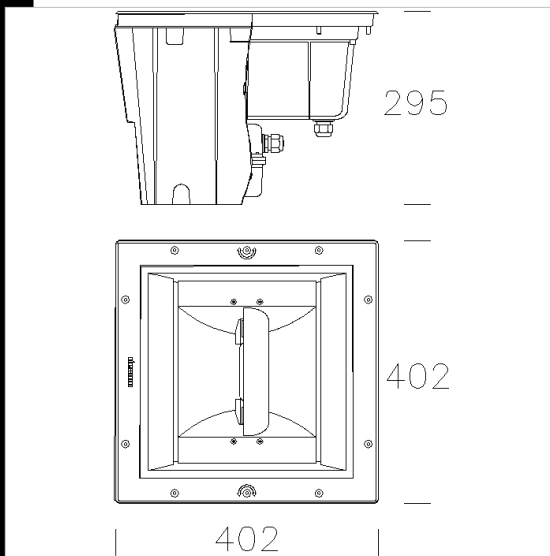
Diffuser: internal tempered glass, 5 mm thick, resistant to thermal shock. External tempered glass, 15 mm thick, resistant to thermal shock and mechanical stress up to 2000 Kg (non-slip version available upon request).

Electric gear: 230V/50Hz power supply. Nylon gear box with 4P 4 sq mm terminal block. Provision for in-out wire, 1/2 inch nylon cable glands and 1 sq mm section double insulation wire.

Standard supply: silicone rubber gaskets.

Reflector: Narrow beam satin aluminium, anodically oxidized and polished.

Anti-dazzle shutter, it reduces glass temperature.



Code	Gear	Kg	Watt	Base	Lamps	Colour
530920-00	CNR-L	15,32	CDM-TS 70	Rx7s	6500lm-3000K-Ra 82	STAINLESS STEEL

Accessori



- 1825 Nomade

Download

DXF 2D
- 1812.dxf

Montaggi
- 1810_13_quadro.pdf