

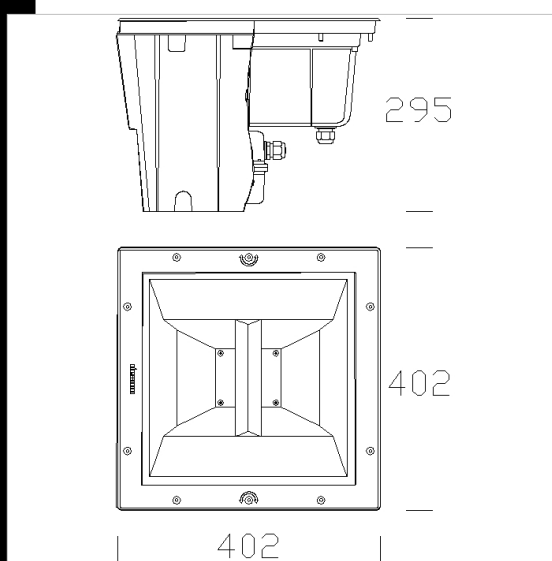


### 1811 Quadro - wide beam

Housing: in die-cast aluminium with silver powder coating.  
 Frame: AISI 304 stainless steel.  
 Outer casing: nylon outer casing and terminal block. Separate wiring to reduce thermal shock on the components and to simplify the installation.  
 Diffuser: internal tempered glass, 5 mm thick, resistant to thermal shock.  
 External tempered glass, 15 mm thick, resistant to thermal shock and mechanical stress up to 2000 Kg (non-slip version available upon request).  
 Electric gear: 230V/50Hz power supply. Nylon gear box with 4P 4 sq mm terminal block. Provision for in-out wire, 1/2 inch nylon cable glands and 1 sq mm section double insulation wire.  
 Standard supply: silicone rubber gaskets.  
 Reflector: Wide beam satin aluminium, anodically oxidized and polished.  
 Anti-dazzle shutter, it reduces glass temperature.

**Download**

DXF 2D  
- 18111.dxf  
Montaggi  
- 1810\_13\_quadro.pdf



Code	Gear	Kg	Lumen-K-CRI	WTot	Base	Colour
530912-00	CNR-L	15.00	SAP-TS 70-6800lm-2000K-Ra 4	82 W	Rx7s	STAINLESS STEEL
530913-00	CNR-L	16.00	SAP-TS 150-15000lm-2000K-Ra 4	157 W	Rx7s	STAINLESS STEEL
530910-00	CNR-L	15.00	JM-TS 70-6500lm-4200K-Ra 1b	91 W	Rx7s	STAINLESS STEEL
530911-00	CNR-L	16.00	JM-TS 150-12500lm-4200K-Ra 1b	157 W	Rx7s	STAINLESS STEEL

**Accessories**



- 1825 Nomade

The reported luminous flux is the flux emitted by the light source with a tolerance of ± 10% compared to the indicated value. The W tot column indicates the total wattage absorbed by the system without exceeding 10% of the indicated