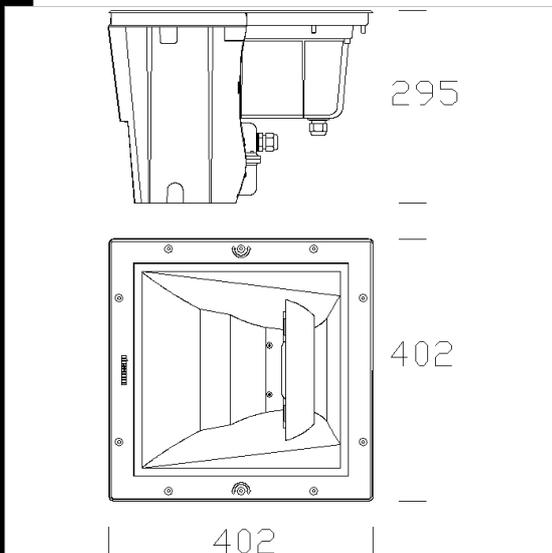


1810 Quadro - asymmetric

Housing: in die-cast aluminium with silver powder coating.
 Frame: AISI 304 stainless steel.
 Outer casing: nylon outer casing and terminal block. Separate wiring to reduce thermal shock on the components and to simplify the installation.
 Diffuser: internal tempered glass, 5 mm thick, resistant to thermal shock.
 External tempered glass, 15 mm thick, resistant to thermal shock and mechanical stress up to 2000 Kg (non-slip version available upon request).
 Electric gear: 230V/50Hz power supply. Nylon gear box with 4P 4 sq mm terminal block. Provision for in-out wire, 1/2 inch nylon cable glands and 1 sq mm section double insulation wire.
 Standard supply: silicone rubber gaskets.
 Reflector: Asymmetric satin aluminium, anodically oxidized and polished.
 Anti-dazzle shutter, it reduces glass temperature.
 Lamps: Includes discharge lamps.
 POWERSTAR HQI-TS EXCELLENCE is an innovative development of the successful HQI-TS lamps in a new design – can be used as direct replacements. UV-reduced, compact and double-ended. Approved for use only in enclosed luminaires.
 Benefits of HQI-TS EXCELLENCE
 High efficiency
 Excellent color rendering
 Excellent price/performance ratio
 Reduced profile for more compact lighting fixtures with greater light efficiency
 3 shades of light: warm DE LUXE (WDL), white DE LUXE (NDL) and daytime (D)
 Average nominal lifespan of 12,000 hours – longer than the average 9,000 hours of equivalent lamps
 UV-filter technology
 Suitable for hot restrike
 Top versatility: ideal for industrial and commercial applications and for the lighting of stores and buildings

Download

- DXF 2D
- 1810.dxf
- Montaggi
- 1810_13_quadro.pdf



Code	Gear	Kg	Lumen-K-CRI	WTot	Base	Colour
530902-00	CNR-L	15.00	SAP-TS 70-6800lm-2000K-Ra 4	82 W	Rx7s	STAINLESS STEEL
530900-00	CNR-L	15.00	JM-TS 70-6500lm-4200K-Ra 1b	91 W	Rx7s	STAINLESS STEEL
530901-00	CNR-L	15.96	JM-TS 150-12500lm-4200K-Ra 1b	157 W	Rx7s	STAINLESS STEEL
530903-00	CNR-L	15.94	SAP-TS 150-15000lm-2000K-Ra 4	157 W	Rx7s	STAINLESS STEEL

Accessories



- 1825 Nomade

The reported luminous flux is the flux emitted by the light source with a tolerance of ± 10% compared to the indicated value. The W tot column indicates the total wattage absorbed by the system without exceeding 10% of the indicated