



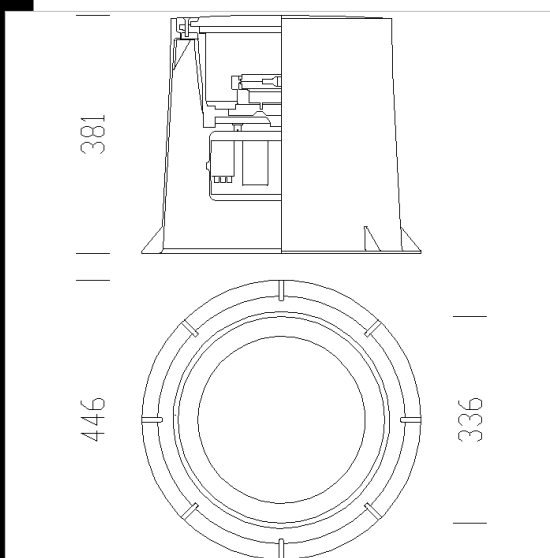
### 1647 Maxifloor - swivelling

**HOUSING:** In die-cast aluminium.  
**REFLECTOR:** Swivelling, in anodised and polished aluminium.  
**DIFFUSER:** 5mm. thick, double glazing, clear, single-press tempered glass; resistant to thermal shock, impact and load (max. 2000 kg). Lens shaped.  
**PAINTING:** Grey graphite polyester powder applied; resistant to corrosion and briny mist.  
**LAMPHOLDER:** In ceramics with silver-plated contacts.  
**ELECTRIC GEAR:** 230V/50Hz power supply. Silicone wired terminated with quick connect clamps in admiralty brass, fibreglass braid, 1 sq. mm cross-section. 2P terminal block with maximum allowed lead cross-section of 2.5 sq mm.  
**STANDARD SUPPLY:** Versions complete with clamping frame. Box for recess mounting supplied as standard.  
**EQUIPMENT:** Silicone rubber gasket. Two  $\text{AE } \frac{1}{2}$  inch gas thread f.g. nylon cable glands.  
**REGULATIONS:** Manufactured according to applicable EN60598 - CEI 34-21 standards. Level of protection in compliance with the EN60529 standard.  
**WITH COLORED LAMPS:**  
 JM-TS150 code 530840-96 blue  
 JM-TS150 code 530840-97 green  
 JM-TS150 code 530840-98 magenta

#### Download

DXF 2D  
 - 1645\_6\_7.dxf

Montaggi  
 - 1645\_6\_7\_maxifloor.pdf  
 - maxi2.dxf  
 - maxi4.dxf  
 - acc\_170\_installazione.dxf  
 - maxi3.dxf  
 - maxi1.dxf



Code	Gear	Kg	Watt	Base	Lamps	Colour
530842-00	CNR-L	11,17	JM-TS 150	Rx7s	12000lm-4000K-Ra 1b	GRAPHITE
530843-00	CNR-L	11,00	SAP-TS 70	Rx7s	6800lm-2000K-Ra 4	GRAPHITE
530842-98	CNR-L	10,18	JM-TS 150 magenta	Rx7s	--	GRAPHITE
530842-97	CNR-L	10,18	JM-TS 150 verde	Rx7s	--	GRAPHITE
530842-96	CNR-L	10,18	JM-TS 150 blu	Rx7s	--	GRAPHITE

#### Accessories



- 170 baffle louvre