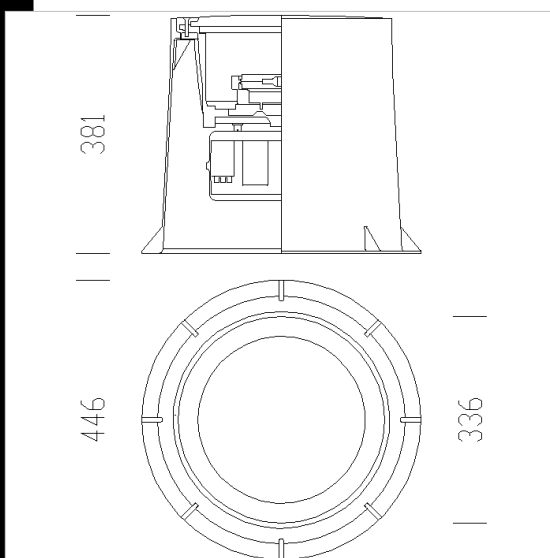


1645 Maxifloor - wide beam reflector

HOUSING: In die-cast aluminium.
REFLECTOR: Wide-beam in anodised and polished aluminium.
DIFFUSER: 5mm. thick, double glazing, clear, single-press tempered glass; resistant to thermal shock, impact and load (max. 2000 kg). Lens shaped.
PAINTING: in several stages. The first stage includes a grey epoxy cationic electro coating, resistant to corrosion and saline environments. Then it is coated with a UV stabilising primer; and finally it is finished with graphite acrylic paint.
LAMPHOLDER: In ceramics with silver-plated contacts.
ELECTRIC GEAR: 230V/50Hz power supply. Silicone wired terminated with quick connect clamps in admiralty brass, fibreglass braid, 1 sq. mm cross-section. 2P terminal block with maximum allowed lead cross-section of 2.5 sq mm.
STANDARD SUPPLY: Versions complete with clamping frame. Box for recess mounting supplied as standard.
EQUIPMENT: Silicone rubber gasket. Two $\text{Æ } \frac{1}{2}$ inch gas thread f.g. nylon cable glands.
REGULATIONS: Manufactured according to applicable EN60598 - CEI 34-21 standards. Level of protection in compliance with the EN60529 standard

Download
 DXF 2D
 - 1645_6_7.dxf
 Montaggi
 - maxi3.dxf
 - maxi1.dxf
 - 1645_6_7_maxifloor.pdf
 - maxi2.dxf
 - acc_170_installazione.dxf



Code	Gear	Kg	Lumen-K-CRI	WTot	Base	Colour
530822-00	CNR-L	11.43	JM-TS 150-12500lm-4200K-Ra 1b	157 W	Rx7s	GRAPHITE

The reported luminous flux is the flux emitted by the light source with a tolerance of $\pm 10\%$ compared to the indicated value. The W tot column indicates the total wattage absorbed by the system without exceeding 10% of the indicated