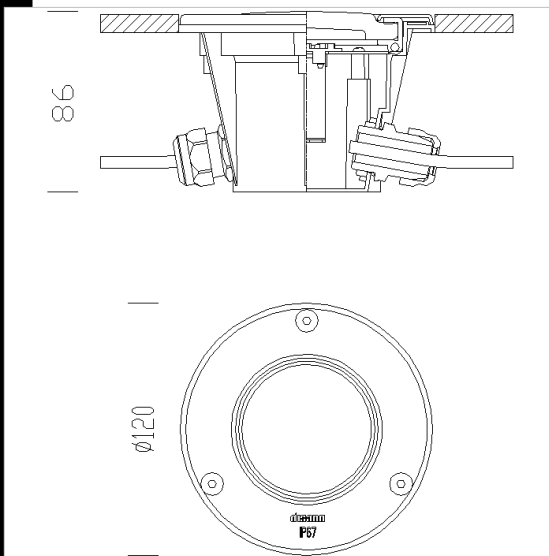


1661 Microfloor LED - 230V

Housing: Fibreglass nylon.
Diffuser: Tempered glass, resistant to impact and thermal shock .
Frame: Made of stainless steel (AISI 316).
Equipment: Silicone rubber and EPDM gasket.
Regulations: Manufactured in compliance with EN60598 - CEI 34 - 21 standards. The level of protection complies with the EN60529 standard.



Code	Gear	Kg	Lumen Output-K-CRI	WTot	Colour
530816-00	CLD	0,40	LED-43lm-4000K-120°-CRI 80	1 W	STAINLESS STEEL

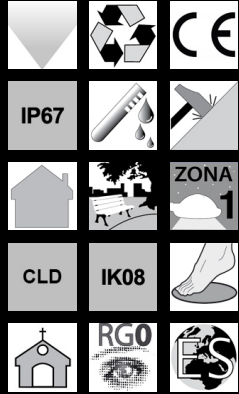
Accessori



- 314 wall frame



- 313 outer shell



Download

DXF 2D
- 1650_microfloor.dxf

Montaggi
- microfloor 03-21.pdf

The reported luminous flux is the flux emitted by the light source with a tolerance of ± 10% compared to the indicated value. The W tot column indicates the total wattage absorbed by the system without exceeding 10% of the indicated