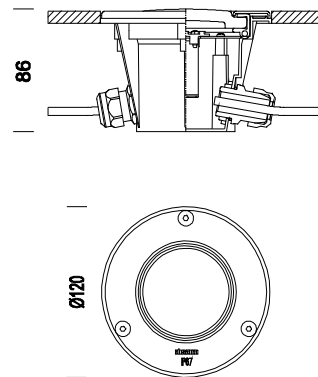


1634 Microfloor LED



| Code | Gear | Kg | Colour | Dimensions | W Tot | lamp |
|-----------|---------|------|-----------|-------------|-------|-----------------------------------|
| 530815-00 | CLD S+L | 0.40 | stainless | 0x0x86 Ø120 | 3,3 | LED white-300lm @ 350mA-4000K-25° |
| 530815-71 | CLD S+L | 0.40 | stainless | 0x0x86 Ø120 | | LED blue-72lm-25° |
| 530815-72 | CLD S+L | 0.40 | stainless | 0x0x86 Ø120 | | LED 3.3W red-91.8lm-25° |
| 530815-73 | CLD S+L | 0.40 | stainless | 0x0x86 Ø120 | | LED 3.3W yellow-91.8lm-25° |
| 530815-74 | CLD S+L | 0.40 | stainless | 0x0x86 Ø120 | | LED green-202lm-25° |

Housing: Fibreglass nylon.

Diffuser: Tempered glass, resistant to impact and thermal shock .

Frame: Made of stainless steel (AISI 316).

Equipment: Silicone rubber and EPDM gasket.

Regulations: Manufactured in compliance with EN60598 - CEI 34 - 21 standards. The level of protection complies with the EN60529 standard.

Complete with 1 module PowerLed 3.3W . Flow tot. 300lm - 20° - 4000K. Separate transformer required (code 997665 max 5 spot)