



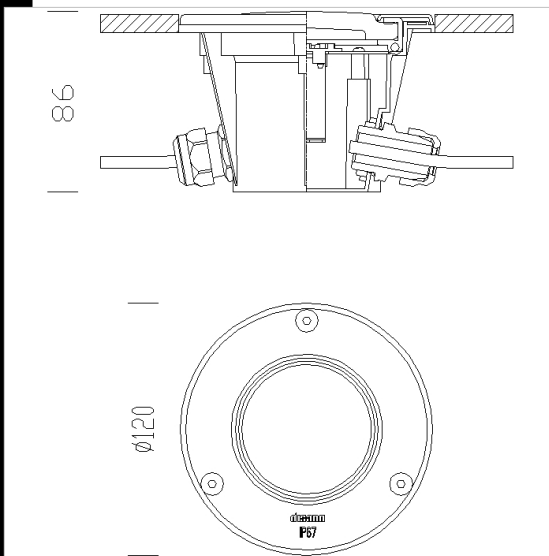
Download

DXF 2D
- 1650_microfloor.dxf
Montaggi
- microfloor 03-21 .pdf



1634 Microfloor LED

Housing: Fibreglass nylon.
Diffuser: Tempered glass, resistant to impact and thermal shock .
Frame: Made of stainless steel (AISI 316).
Equipment: Silicone rubber and EPDM gasket.
Regulations: Manufactured in compliance with EN60598 - CEI 34 - 21 standards. The level of protection complies with the EN60529 standard.
Power factor: >= 0.95
Luminous flux maintenance 70%: 50.000h (L70B50).
Separate transformer required (code 997665 max 5 spot)



Code	Gear	Kg	Lumen Output-K-CRI	WTot	Colour
530815-00	CLD S+L	0.50	LED-520lm-4000K-25°-CRI 80	4 W	STAINLESS STEEL
530817-00	CLD S+L	0.44	LED-520lm-4000K-120°-CRI 80	3 W	STAINLESS STEEL

Accessories



- 314 wall frame



- 313 outer shell



- 179 watertight box CC-IP677

The reported luminous flux is the flux emitted by the light source with a tolerance of ± 10% compared to the indicated value. The W tot column indicates the total wattage absorbed by the system without exceeding 10% of the indicated