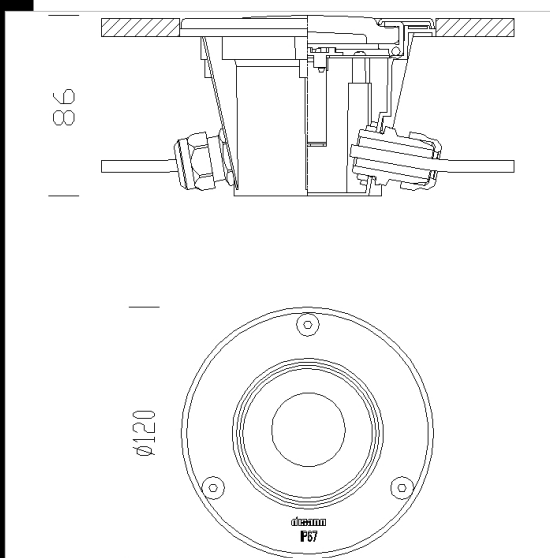




1635 Microfloor LED RGB Fullcolor

Housing: Fibreglass nylon.
 Diffuser: Tempered glass, resistant to impact and thermal shock .
 Frame: Made of stainless steel (AISI 316).
 Equipment: Silicone rubber and EPDM gasket.
 Regulations: Manufactured in compliance with EN60598 - CEI 34 - 21 standards. The level of protection complies with the EN60529 standard.
 Complete with 1 module RGB fullcolor 4.5W. Separate transformer required constant current 350mA. (98651100)
 The Fullcolor Power LED is a very luminous light source; efficient colour mixing in one single compact device which enables a wide range of lighting applications, including entertainment, exhibitions and retailing, architectural and decorative areas.
 Power LED RGB: high luminosity LED; small energy source equipped with multicolour optic unit for excellent colour mixing.



Download

- DXF 2D
- 1635.dxf
- Montaggi
- acc62-63.pdf
- acc61.pdf
- microfloor 03-21.pdf

Code	Gear	Kg	Lumen Output-K-CRI	WTot	Colour
530800-00	CLD S+L	0,40	LED RGB Fullcolor-105lm--	4 W	STAINLESS STEEL

Accessori

 - 313 outer shell	 - 314 wall frame	 - 61 box- IP65	 - 62 Amplifier/ remodulator DMX
 - 63 IP65 box - LED RGB power supply + DMX	 - 65 RGB remote		

The reported luminous flux is the flux emitted by the light source with a tolerance of ± 10% compared to the indicated value. The W tot column indicates the total wattage absorbed by the system without exceeding 10% of the indicated