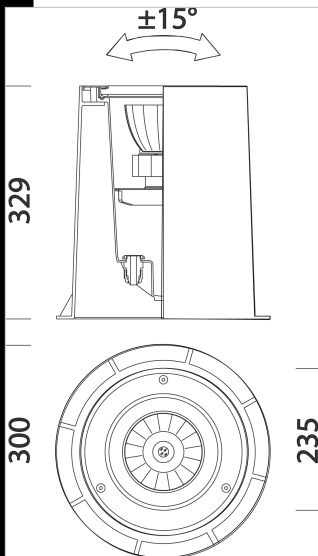


1883 Minifloor LED



HOUSING: Die-cast aluminium with AISI 316 stainless steel frame.
DIFFUSER: Diffuser: In clear tempered glass resistant to thermal shocks, impacts and loads (max. 2000 kg).
STANDARD SUPPLY: Versions complete with clamping frame. Box for recess mounting supplied as standard.
EQUIPMENT: Silicone rubber gasket. Removable electric control gear tray for easy maintenance.
 Two diam. 1/2 inch gas thread f.g. nylon cable glands.
REGULATIONS: Manufactured according to applicable EN60598 - CEI 34-21 standards. Level of protection IP67IK08 in compliance with the EN60529 standard. Double insulation class.
 Upon request: version with IP68 protection with gel watertight system at the bottom of the fixture (not suited for underwater installation).
 Photobiological safety class: exempt group.
 Luminous flux maintenance 80%: 50.000h (L80B20).



Code	Gear	Kg	Lumen Output-K-CRI	WTot	Colour
530786-00	CLD	4,95	LED-1302lm-4000K-15°-CRI 90	15 W	STAINLESS STEEL
530785-00	CLD	4,95	LED-1225lm-3000K-15°-CRI 90	15 W	STAINLESS STEEL
530785-73	CLD	4,87	LED COB AMBER-1950lm-2200K-amber-	15 W	STAINLESS STEEL

Accessori



- 369 connector



- 399 Connector for solid line

The reported luminous flux is the flux emitted by the light source with a tolerance of ± 10% compared to the indicated value. The W tot column indicates the total wattage absorbed by the system without exceeding 10% of the indicated