

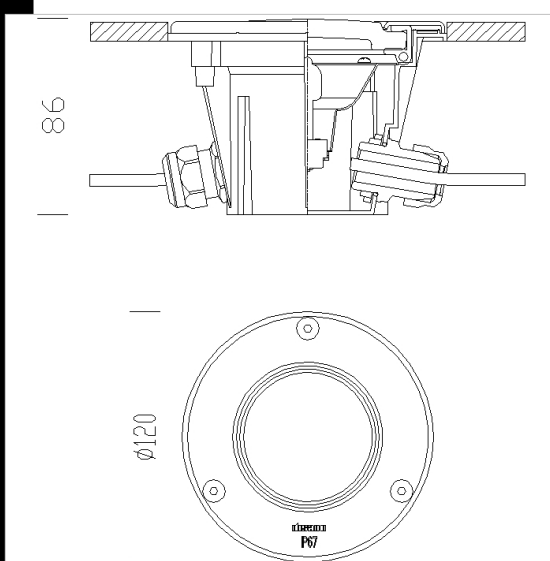


1649 Microfloor

Housing: Fibreglass nylon.
 Diffuser: Tempered glass, resistant to impact and thermal shock .
 Reflector: Symmetric and asymmetric version
 Frame: Made of stainless steel (AISI 316).
 Lampholder: Ceramic with silver-plated contacts
 Electric gear: 12V-50Hz power supply with external transformer. Wire, insulation class 3.
 Equipment: Silicone rubber and EPDM gasket.
 Regulations: Manufactured in compliance with EN60598 - CEI 34 - 21 standards. The level of protection complies with the EN60529 standard.
 Lamp: Supplied with halogen lamps: DICR 20W IRC; ALO 20W

Download

DXF 2D
 - 1649_microfloor.dxf
 Montaggi
 - MICROFLOOR_2019.pdf



Code	Gear	Kg	Lumen-K-CRI	WTot	Base	Colour
530761-00	S+L	0,38	ALO 20-320cd--	20 W	G4	STAINLESS STEEL
530760-00	S+L	0,38	DICR 20--	20 W	GX5.3	STAINLESS STEEL

Accessori



- 314 wall frame



- 201 Vetri colorati



- 313 outer shell



- 179 watertight box CC-IP6777

The reported luminous flux is the flux emitted by the light source with a tolerance of $\pm 10\%$ compared to the indicated value. The W tot column indicates the total wattage absorbed by the system without exceeding 10% of the indicated