

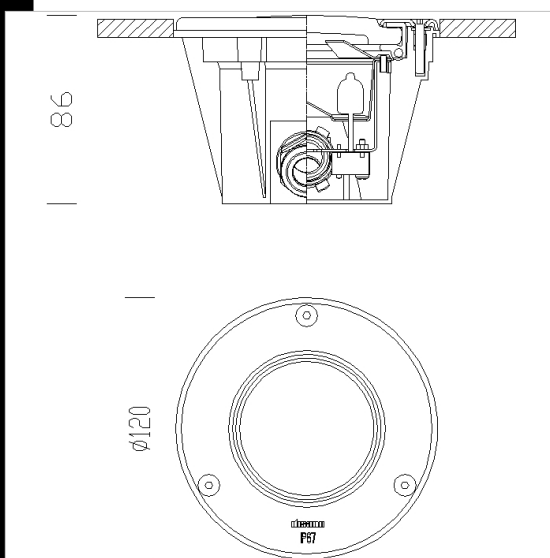


### 1648 Microfloor asymmetric

Housing: Fibreglass nylon.  
 Diffuser: Tempered glass, resistant to impact and thermal shock .  
 Reflector: Symmetric and asymmetric version  
 Frame: Made of stainless steel (AISI 316).  
 Lampholder: Ceramic with silver-plated contacts  
 Electric gear: 12V-50Hz power supply with external transformer. Wire, insulation class 3.  
 Equipment: Silicone rubber and EPDM gasket.  
 Regulations: Manufactured in compliance with EN60598 - CEI 34 - 21 standards. The level of protection complies with the EN60529 standard.  
 Lamp: Supplied with halogen lamps: DICR 20W IRC; ALO 20W

**Download**

- DXF 2D  
- 1648\_microfloor.dxf
- Montaggi  
- MICROFLOOR\_2019.pdf



Code	Gear	Kg	Lumen-K-CRI	WTot	Base	Colour
530750-00	S+L	0.04	ALO 20-320cd--	20 W	G4	STAINLESS STEEL

**Accessories**



- 314 wall frame



- 201 Vetri colorati



- 313 outer shell



- 179 watertight box CC-IP677

The reported luminous flux is the flux emitted by the light source with a tolerance of ± 10% compared to the indicated value. The W tot column indicates the total wattage absorbed by the system without exceeding 10% of the indicated