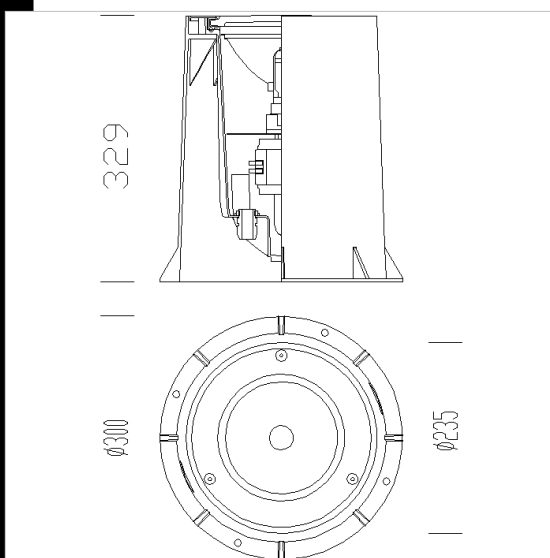




1641 Minifloor

HOUSING: In die-cast aluminium with AISI 316 stainless steel frame.
REFLECTOR: In anodised and polished aluminium.
DIFFUSER: Twin protection, one in 12 mm thick smooth, clear, hardened glass mm and one with orange-peel finish, resistant to thermal shock, impact and loads (max. 2000 Kg).
PAINTING: With polyester powder, silver, upon chromate treatment, resistant to corrosive and saline environments.
LAMPHOLDER: In ceramics with silver-plated contacts. Socket G12
ELECTRIC GEAR: 230V/50Hz power supply. Hard wire, 1 sq mm cross-section and PVC-HT sheath, resistant up to 90°C according to CEI 20-20 standards. 2P+T terminal block with maximum allowed lead cross-section of 4 sq mm.
STANDARD SUPPLY: Versions complete with clamping frame. Box for recess mounting supplied as standard.
EQUIPMENT: Silicone rubber gasket. Removable electric control gear tray for easy maintenance.
 Two diam. ½ inch gas thread f.g. nylon cable glands.
REGULATIONS: Manufactured according to applicable EN60598 - CEI 34-21 standards. Level of protection IP67IK08 in compliance with the EN60529 standard.
LAMPS: Complete with mastercolour lamp.

- Download**
- DXF 2D
- 1641.dxf
 - 3DS
- 1640_minifloor.3ds
 - 3DM
- 1640_minifloor.3dm
 - Montaggi
- minifloor.pdf
- 369_399 montaggio.dxf



Code	Gear	Kg	Lumen-K-CRI	WTot	Base	Colour
530732-00	CNR-L	5.67	CDM-T 35-3500lm-3000K-Ra 1b	42 W	G12	STAINLESS STEEL

Accessories



- 369 connector



- 399 Connector for solid line

The reported luminous flux is the flux emitted by the light source with a tolerance of ± 10% compared to the indicated value. The W tot column indicates the total wattage absorbed by the system without exceeding 10% of the indicated