





**IP67**  

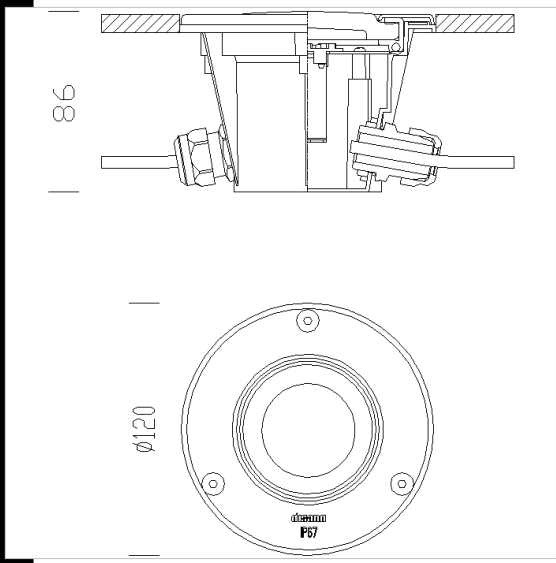

  
**CLD S+L**

**Download**  
 DXF 2D  
 - 1670.dxf  
 Montaggi  
 - microfloor 03-21.pdf



**1670 Microfloor LED 230V**

Housing: Fibreglass nylon.  
 Diffuser: Tempered glass, resistant to impact and thermal shock .  
 Frame: Made of stainless steel (AISI 316).  
 Equipment: Silicone rubber and EPDM gasket.  
 Regulations: Manufactured in compliance with EN60598 - CEI 34 - 21 standards. The level of protection complies with the EN60529 standard.



Code	Gear	Kg	Lumen Output-K-CRI	WTot	Base	Colour
530710-00	CLD S+L	0.54	LED COB-600lm-3000K-38°-CRI 80	6 W	GU10	STAINLESS STEEL

**Accessories**



- 314 wall frame



- 313 outer shell

The reported luminous flux is the flux emitted by the light source with a tolerance of ± 10% compared to the indicated value. The W tot column indicates the total wattage absorbed by the system without exceeding 10% of the indicated