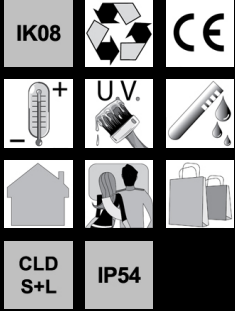


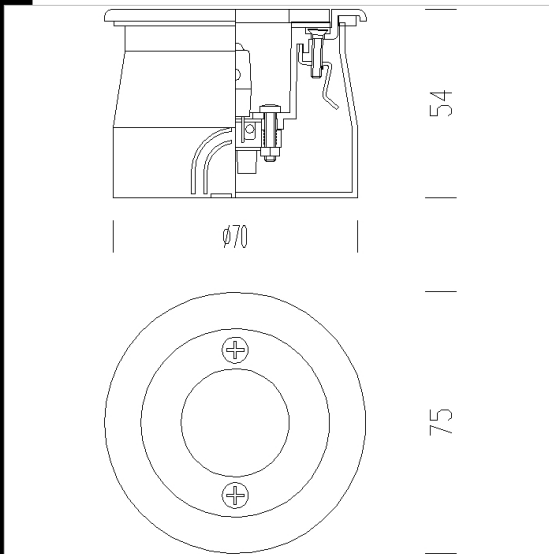
1618 Mini LED



Housing/frame: In diecast aluminium.
 Diffuser: In tempered glass, thermal shock and impact resistant.
 Painting: In several stages. First stage: black epoxy cationic electrocoating, upon chromate treatment, resistant to corrosive and saline environments. Second stage: UV-stabilizer priming, and lastly rough finish with metallic silver acrylic coating.
 Electric gear: 24V/50Hz power supply with transformer. 2P terminal block with maximum allowed lead cross-section of 2.5 sqmm.
 Equipment: Silicone rubber and EPDM gasket .
 Regulations: Produced according to applicable EN60598-1 CEI 34-21 standards, IP54IK08 degree of protection according to EN 60529 standards.
 LED 0.6W - 4000K - 120° Use cod. 997660/997663 tranformer to power max 26 spot.

Download

DXF 2D
 - 1618svll.dxf
 Montaggi
 - 1618_mini.pdf



Code	Gear	Kg	Watt	Base	Lamps	Colour
530674-00	CLD S+L	0,09	LED white 0.6W		30lm-4000K-120°	MET. SILVER