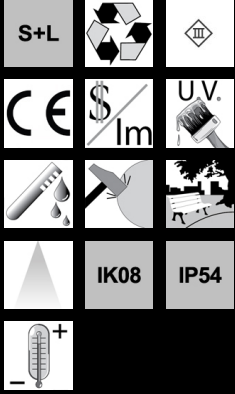


1618 Mini - wall version

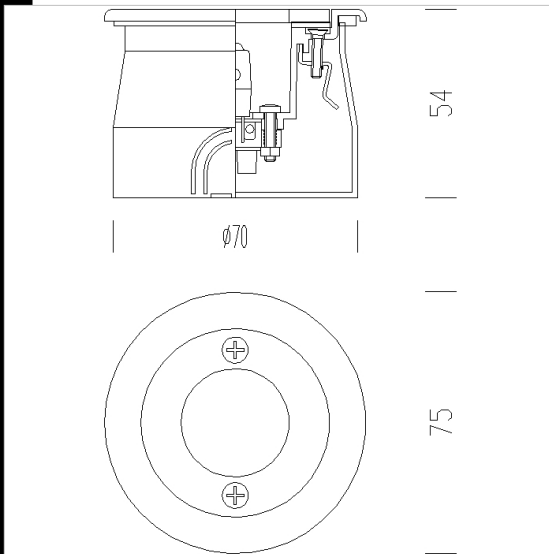


Housing/frame: In diecast aluminium.  
 Diffuser: In tempered glass, thermal shock and impact resistant.  
 Painting: the standard liquid immersion coating consists of a first metal surface pre-treatment stage, a successive epoxy cataphoresis corrosion and salt resistant coating, and a final layer of bi-component acrylic liquid UV-stabilised coating.  
 Lampholder: In ceramics with silver-plated contacts. Socket G4.  
 Electric gear: 12V/50Hz power supply with transformer. Hard wire, 0.50 sqmm cross-section. 2P terminal block with maximum allowed lead cross-section of 2.5 sqmm.  
 Equipment: Silicone rubber and EPDM gasket .  
 Regulations: Produced according to applicable EN60598-1 CEI 34-21 standards, IP54IK08 degree of protection according to EN 60529 standards.  
 Lamp: Complete with halogen lamps: ALO10; ALO20.

Download

DXF 2D  
 - 1618wll.dxf

Montaggi  
 - 1618\_mini\_tn.pdf  
 - fi\_1618.dxf  
 - L\_1618.dxf



Code	Gear	Kg	Lumen-K-CRI	WTot	Base	Colour
530671-00	S+L	0.10	ALO 20-320cd--	20 W	G4	GREY9007
530670-00	S+L	0.10	ALO 10-130lm--	10 W	G4	GREY9007

The reported luminous flux is the flux emitted by the light source with a tolerance of ± 10% compared to the indicated value. The W tot column indicates the total wattage absorbed by the system without exceeding 10% of the indicated