



1614 Wall - with eyelid screen

Housing: In vandal resistant and V2 self-extinguishing polycarbonate, UV-stabilized, anti-yellowing.

Frame: In die-cast aluminium with eyelid screen.

Reflector: Symmetric, in bright white UV-resistant polycarbonate. 40 W INC version, in polished aluminium.

Diffuser: In vandal resistant and V2 self-extinguishing polycarbonate, UV-stabilized, anti-yellowing.

Painting: In several stages. First stage: black epoxy cationic electrocoating, upon chromate treatment, resistant to corrosive and saline environments. Second stage: UV-stabilizer priming, and lastly rough finish with grey acrylic coating.

Lampholder: In polycarbonate, with phosphor bronze contacts (FLC). Socket E27; G23.

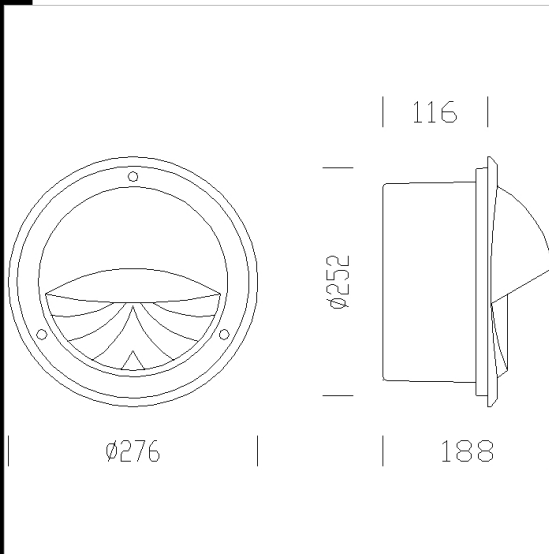
Electric gear: 230 V/50 Hz power supply. Hard wire, 0.50 sqmm cross section and PVC-HT sheath. 2P polycarbonate terminal block, with maximum allowed lead cross section of 2.5 sqmm.

Standard supply: Complete with fixing frame. Standard recess box (to be cemented into the wall immediately after starting the works, while the frame can be applied at the end), with provision for power supply cable input on the bottom or from the sides, with reference points for plumb positioning in the recessed mounting.

Equipment: Silicone rubber gasket. Removable electric gear tray for easy maintenance. Cable gland in rubber.

Regulations: Produced according to applicable EN60598-1 CEI 34/21 standards, IP65IK08 degree of protection according to EN 60529 standards. Class of insulation II. They are provided with ENEC European certification.

CON LAMPADE COLORATE:
 FLC2x9s cod. 530651-96 blu
 FLC2x9s cod. 530651-97 verde
 FLC2x9s cod. 530651-98 rosso



Code	Gear	Kg	Watt	Base	Lamps	Colour
530652-00	S	1,33	MAX 40/ FLC 15EL	E27	430lm-2700K-Ra 100	GRAPHITE
530653-97	CNR-L	3,07	FLC 2x9S green	G23	--	GRAPHITE
530653-98	CNR-L	3,07	FLC 2x9S red	G23	--	GRAPHITE
530653-96	CNR-L	3,07	FLC 2x9S blue	G23	--	GRAPHITE
530653-08	CELL	3,00	FLC 2x9S	G23	600lm-4000k-Ra 1b	GRAPHITE

Download

DXF 2D
- 1614wall.dxf

Montaggi
- wall.pdf