



1614 Wall - with eyelid screen

Housing: In vandal resistant and V2 self-extinguishing polycarbonate, UV-stabilized, anti-yellowing.

Frame: In die-cast aluminium with eyelid screen.

Reflector: Symmetric, in bright white UV-resistant polycarbonate. 40 W INC version, in polished aluminium.

Diffuser: In vandal resistant and V2 self-extinguishing polycarbonate, UV-stabilized, anti-yellowing.

Painting: In several stages. First stage: black epoxy cationic electrocoating, upon chromate treatment, resistant to corrosive and saline environments. Second stage: UV-stabilizer priming, and lastly rough finish with grey acrylic coating.

Lampholder: In polycarbonate, with phosphor bronze contacts (FLC). Socket E27; G23.

Electric gear: 230 V/50 Hz power supply. Hard wire, 0.50 sqmm cross section and PVC-HT sheath. 2P polycarbonate terminal block, with maximum allowed lead cross section of 2.5 sqmm.

Standard supply: Complete with fixing frame. Standard recess box (to be cemented into the wall immediately after starting the works, while the frame can be applied at the end), with provision for power supply cable input on the bottom or from the sides, with reference points for plumb positioning in the recessed mounting.

Equipment: Silicone rubber gasket. Removable electric gear tray for easy maintenance. Cable gland in rubber.

Regulations: Produced according to applicable EN60598-1 CEI 34/21 standards, IP65IK08 degree of protection according to EN 60529 standards.

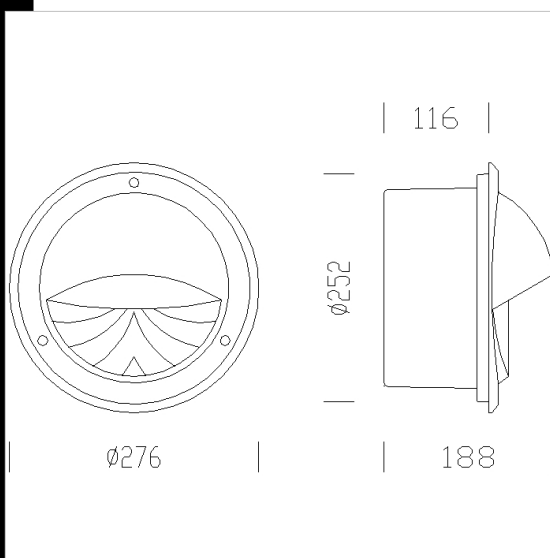
Class of insulation II. They are provided with ENEC European certification.

CON LAMPADE COLORATE:

FLC2x9s cod. 530651-96 blu

FLC2x9s cod. 530651-97 verde

FLC2x9s cod. 530651-98 rosso



Code	Gear	Kg	Lumen-K-CRI	WTot	Base	Colour
530652-00	S	1.33	MAX 40/ FLC 15EL-430lm-2700K-Ra 100	0 W	E27	GRAPHITE
530653-08	CELL	3.00	FLC 2x9S-600lm-4000k-Ra 1b	20 W	G23	GRAPHITE

The reported luminous flux is the flux emitted by the light source with a tolerance of $\pm 10\%$ compared to the indicated value. The W tot column indicates the total wattage absorbed by the system without exceeding 10% of the indicated