



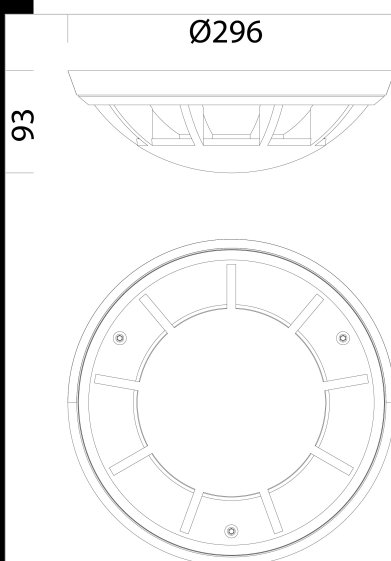
**Download**

- DXF 2D  
- 2612.dxf
- 3DS  
- disano\_2612\_ground.3ds
- 3DM  
- disano\_2612\_ground.3dm
- Montaggi  
- ground 05-21.pdf
- BIM  
- 2612 Ground - with convex screen radial lammellae - 20200611.zip



**2612 Ground - with convex screen radial lammellae**

Housing: in die-cast aluminium. Diffuser: In hemispherical glass, resistant to thermal shocks, impacts and loads. Equipment: cable gland in fiberglass nylon PG11 and provision for continuous line.  
The luminaire can bear vehicle loads.  
Luminous flux maintenance 70% 50.000h (L70B50).



| Code      | Gear | Kg   | Lumen Output-K-CRI          | WTot | Colour   |
|-----------|------|------|-----------------------------|------|----------|
| 530630-00 | CLD  | 2,66 | LED COB-1100lm-4000K-CRI 90 | 20 W | GRAPHITE |

The reported luminous flux is the flux emitted by the light source with a tolerance of ± 10% compared to the indicated value. The W tot column indicates the total wattage absorbed by the system without exceeding 10% of the indicated