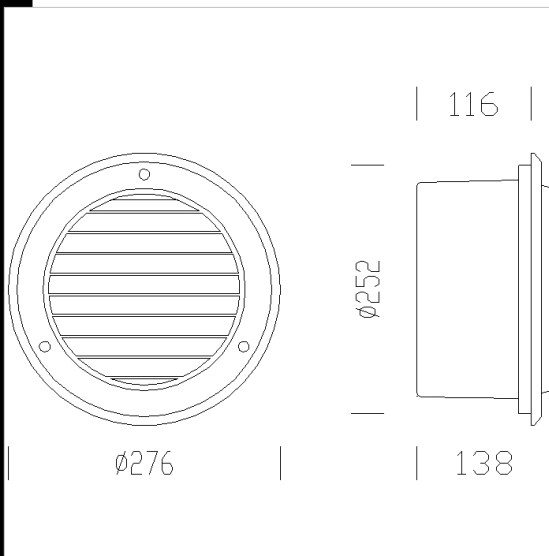


1610 Wall - with baffle louver

Housing: In vandal resistant and V2 self-extinguishing polycarbonate, UV-stabilized, anti-yellowing.
 Frame: In die-cast aluminium.
 Reflector: Symmetric, in bright white UV-resistant polycarbonate. 40 W INC version, in polished aluminium.
 Diffuser: In vandal resistant, V2 self-extinguishing, UV-stabilized, anti-yellowing polycarbonate.
 Painting: In several stages. First stage: black epoxy cationic electrocoating, upon chromate treatment, resistant to corrosive and saline environments
 Second stage: UV-stabilizer priming, and lastly rough finish with grey acrylic coating.
 Lampholder: In polycarbonate, with phosphor bronze contacts (FLC). Socket E27; G23.
 Electric gear: 230 V/50 Hz power supply. Hard wire, 0.50 sqmm cross section and PVC-HT sheath. 2P polycarbonate terminal block, with maximum allowed lead cross section of 2.5 sqmm.
 Standard supply: Complete with fixing frame. Standard recess box (to be cemented into the wall immediately after starting the works, while the frame can be applied at the end), with provision for power supply cable input on the bottom or from the sides, with reference points for plumb positioning in the recessed mounting.
 Equipment: Silicone rubber gasket. Removable electric gear tray for easy maintenance. Cable gland in rubber.
 Regulations: Produced according to applicable EN60598-1 CEI 34/21 standards, IP65IK08 degree of protection according to EN 60529 standards. Class of insulation II. They are provided with ENEC European certification.



Code	Gear	Kg	Lumen-K-CRI	WTot	Base	Colour
530613-08	CELL	1.65	FLC 2x9S-600lm-4000k-Ra 1b	20 W	G23	GRAPHITE
530612-00	S	2.00	MAX 40/ FLC 15EL-430lm-2700K-Ra 100	0 W	E27	GRAPHITE

Download
 DXF 2D
 - 1610lfr.dxf
 Montaggi
 - wall.pdf

The reported luminous flux is the flux emitted by the light source with a tolerance of ± 10% compared to the indicated value. The W tot column indicates the total wattage absorbed by the system without exceeding 10% of the indicated