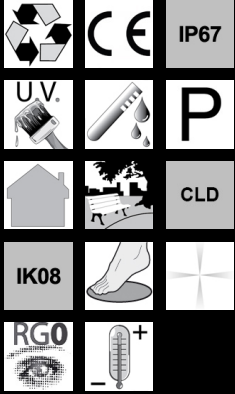




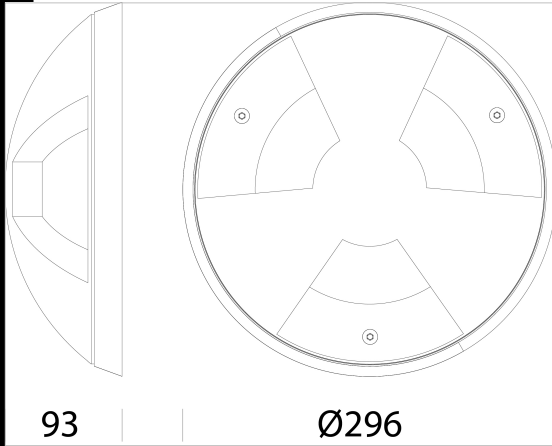
2613 Ground - with convex screen and frame

Housing: in die-cast aluminium. Diffuser: In hemispherical glass, resistant to thermal shocks, impacts and loads. Equipment: cable gland in fiberglass nylon PG11 and provision for continuous line. Luminous flux maintenance 70% 50.000h (L70B50).



Download

- DXF 2D
- 2613.dxf
- 3DS
- disano_2613_ground.3ds
- 3DM
- disano_2613_ground.3dm
- Montaggi
- ground 05-21.pdf
- BIM
- 2613 Ground - with convex screen and frame - 20200611.zip



Code	Gear	Kg	Lumen Output-K-CRI	WTot	Colour
530600-00	CLD	2.48	LED COB-1100lm-4000K-CRI 90	20 W	GRAPHITE

The reported luminous flux is the flux emitted by the light source with a tolerance of ± 10% compared to the indicated value. The W tot column indicates the total wattage absorbed by the system without exceeding 10% of the indicated