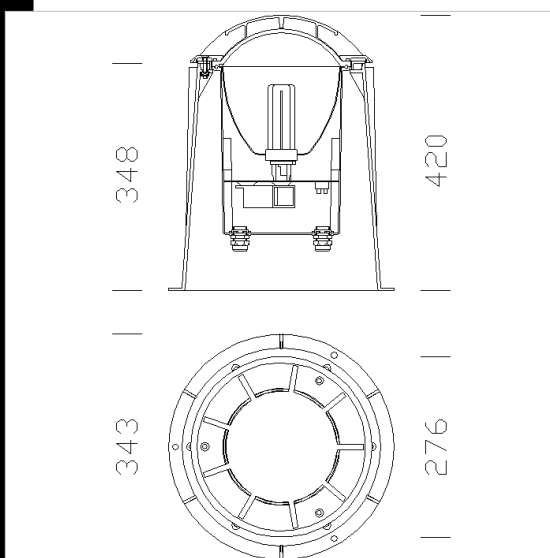


1602 Floor - with convex screen radial lammellae

Housing/frame: In diecast aluminium.
 Reflector: in polished, anodized aluminium.
 Diffuser: In hemispherical glass, resistant to thermal shocks, impacts and loads (max. 2000 kg).
 Painting: the standard powder coating consists of a first metal surface pre-treatment stage and of single layer of UV-stabilised, corrosion and salt resistant polyester powder coating.
 Electric gear: 230-240V/50Hz power supply. Hard wire, 0.50 sqmm cross section and PVC-HT sheath or silicone wire terminated with quick-connect admiralty brass clamps, with glass braid, 1.0 sqmm cross section. 2P+T terminal block with maximum allowed lead cross section of 2.5 sqmm.
 Standard supply: Versions with fixing frame and recess mounting box in fiberglass nylon.
 Equipment: Silicone rubber gasket. Removable electric gear tray for easy maintenance. cable gland in fiberglass nylon Ø 1/2 gas thread.
 Regulations: Produced according to applicable EN60598-1 CEI 34-21 standards, IP67IK08 degree of protection according to EN 60529 standards.



Download

- DXF 2D
- 1602flr.dxf
- Montaggi
- 1602.dxf
- press.dxf
- inc_fl.dxf
- mts_line.dxf
- 369_399 montaggio.dxf
- floor.pdf

Code	Gear	Kg	Lumen-K-CRI	WTot	Base	Colour
530574-00	CELL	6.50	FLC 1x26T/E-1800lm-4000K-Ra 1b	27 W	Gx24q-3	GRAPHITE

Accessories



- 369 connector



- 399 Connector for solid line

The reported luminous flux is the flux emitted by the light source with a tolerance of $\pm 10\%$ compared to the indicated value. The W tot column indicates the total wattage absorbed by the system without exceeding 10% of the indicated