

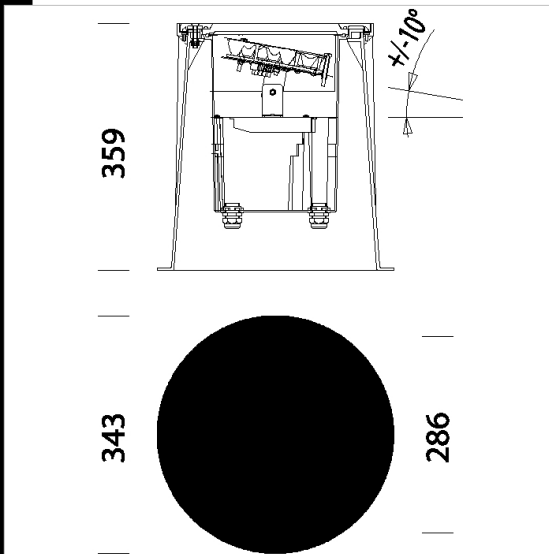
**1679 Floor - LED RGBW DMX swivelling in stainless steel AISI 316**

Housing/Cover: in die-cast aluminium.  
 Frame: in AISI 316L stainless steel.  
 Diffuser: In clear tempered glass resistant to thermal shocks, impacts.  
 Standard supply: Versions with fixing frame and recess mounting box in fiberglass nylon.  
 Equipment: Silicone rubber gasket. Removable electric gear tray for easy maintenance. cable gland in fiberglass nylon Ø 1/2 gas thread.  
 Regulations: Produced according to applicable EN60598-1 CEI 34-21 standards, IP67IK10 degree of protection according to EN 60529 standards  
 The equipment has passed the static load resistance test (EN 60598-2-13) with an applied weight of 40KN equal to 4000Kg.  
 Adjustable led plate.  
 Photobiological safety class: exempt group

**Download**

DXF 2D  
 - 1677-1679n.dxf  
 - 1677-1679.dxf

Montaggi  
 - floordmx.pdf



Code	Gear	Kg	Lumen Output-K-CRI	WTot	Colour
530518-00	CLD CELL	5.82	LED RGBW Fullcolor-35lm-350mA-40°	28 W	STAINLESS STEEL

**Accessories**



- 369 connector



- DOP controller



- 399 Connector for solid line



- IP65 box for DMX control

The reported luminous flux is the flux emitted by the light source with a tolerance of ± 10% compared to the indicated value. The W tot column indicates the total wattage absorbed by the system without exceeding 10% of the indicated