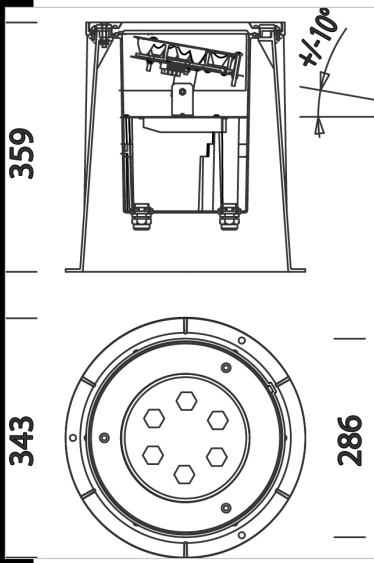


1677 Floor - LED RGBW DMX swivelling



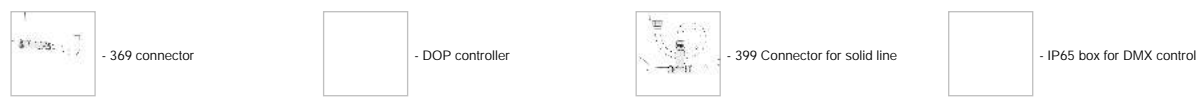
Housing/frame: In diecast aluminium (flush with ground).  
 Diffuser: In clear tempered glass resistant to thermal shocks, impacts.  
 Painting: In several stages. First stage: black epoxy cationic electrocoating, resistant to corrosive and saline environments. Second stage: UV-stabilizer priming, and lastly rough finish with grey graphite acrylic coating.  
 Standard supply: Versions with fixing frame and recess mounting box in fiberglass nylon.  
 Equipment: Silicone rubber gasket. Removable electric gear tray for easy maintenance. cable gland in fiberglass nylon Ø 1/2 gas thread.  
 Regulations: Produced according to applicable EN60598-1 CEI 34-21 standards, IP67IK10 degree of protection according to EN 60529 standards. The equipment has passed the static load resistance test (EN 60598-2-13) with an applied weight of 40KN equal to 4000Kg.  
 Adjustable led plate.  
 Photobiological safety class: exempt group



**Download**  
 DXF 2D  
 - 1677-1679n.dxf  
 - 1677-1679.dxf  
 Montaggi  
 - floordmx.pdf

Code	Gear	Kg	Lumen Output-K-CRI	WTot	Colour
530515-00	CLD CELL	5.66	LED RGBW Fullcolor-35lm-350mA-40°	28 W	GRAPHITE

**Accessories**



The reported luminous flux is the flux emitted by the light source with a tolerance of ± 10% compared to the indicated value. The W tot column indicates the total wattage absorbed by the system without exceeding 10% of the indicated