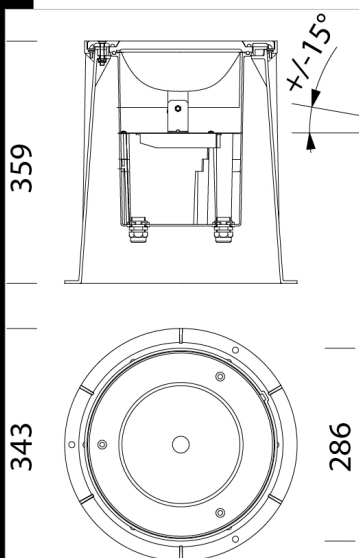


1620 Floor - LED ES swivelling



Housing/frame: In diecast aluminium (flush with ground).
 Diffuser: In clear tempered glass resistant to thermal shocks, impacts.
 Painting: In several stages. First stage: black epoxy cationic electrocoating, resistant to corrosive and saline environments. Second stage: UV-stabilizer priming, and lastly rough finish with grey graphite acrylic coating.
 Standard supply: Versions with fixing frame and recess mounting box in fiberglass nylon.
 Equipment: Silicone rubber gasket. Removable electric gear tray for easy maintenance. cable gland in fiberglass nylon Ø 1/2 gas thread.
 Regulations: Produced according to applicable EN60598-1 CEI 34-21 standards, IP67IK10 degree of protection according to EN 60529 standards. The equipment has passed the static load resistance test (EN 60598-2-13) with an applied weight of 40KN equal to 4000Kg.
 Complete with power supply constant current 500mA.
 LED 2300lm - 4000K - CRI90 - 15°
 Upon request: version with IP68 protection with gel watertight system at the bottom of the fixture (not suited for underwater installation).
 Adjustable led plate.
 Photobiological safety class: exempt group



Code	Gear	Kg	Lumen Output-K-CRI	WTot	Colour
530503-00	CLD CELL	5.74	LED-2300lm-4000K-15°-CRI 90	21 W	GRAPHITE

Accessories



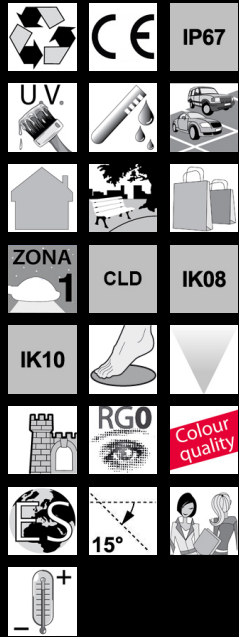
- 369 connector



- 399 Connector for solid line



- 144 -



Download

DXF 2D
 - 1620-1678n.dxf

3DS
 - 1620-1678n.jpg

Montaggi
 - inc_fll.dxf
 - 369_399 montaggio.dxf
 - 1620-1678 incl.pdf
 - 1620_floor_led.pdf

The reported luminous flux is the flux emitted by the light source with a tolerance of ± 10% compared to the indicated value. The W tot column indicates the total wattage absorbed by the system without exceeding 10% of the indicated