

1823 Miniquadro

Housing: made of nylon. Frame: AISI 304 stainless steel. The equipment has passed the static load resistance test (EN 60598-2-13) with an applied weight of 40KN equal to 2000Kg.

Outer casing: nylon outer casing and terminal block. Separate wiring to reduce thermal shock on the components and to simplify the installation.

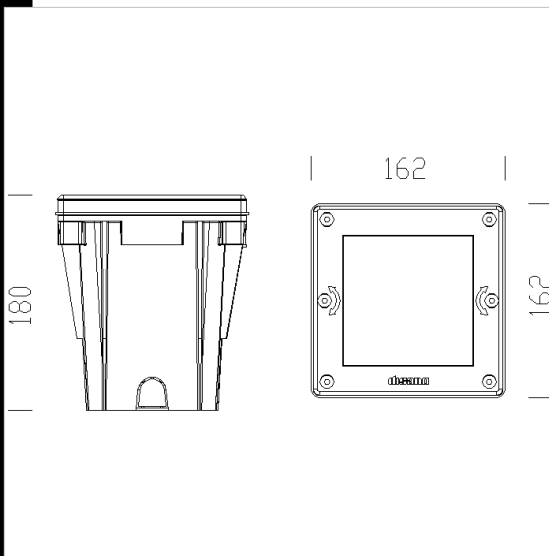
Equipment: silicone rubber basket.

Complete with power supply constant current 350mA.

LED: Latest generation LED technology, life 50.000h to 80% L80B50

Photobiological safety class: exempt group

Regulations: Produced according to applicable EN60598-1 CEI 34-21 standards, degree of protection according to EN 60529 standards.



Code	Gear	Kg	Lumen Output-K-CRI	WTot	Colour
530425-00	CLD	1,64	LED-874lm-300mA-4000K-CRI 90	15 W	STAINLESS STEEL

Accessori



- 1824 Mininomade



Download

DXF 2D  
- 1820.dxf

Montaggi  
- miniquadro 03-19.pdf

The reported luminous flux is the flux emitted by the light source with a tolerance of  $\pm 10\%$  compared to the indicated value. The W tot column indicates the total wattage absorbed by the system without exceeding 10% of the indicated