

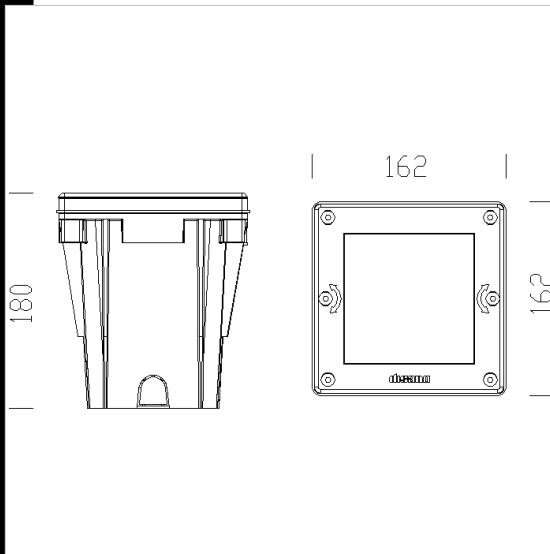
1821 Miniquadro - asymmetric

Housing: made of nylon. Frame: AISI 304 stainless steel. The equipment has passed the static load resistance test (EN 60598-2-13) with an applied weight of 40KN equal to 4000Kg.
 Outer casing: nylon outer casing and terminal block. Separate wiring to reduce thermal shock on the components and to simplify the installation.
 Electric gear: 220-240V/50-60Hz power supply. Nylon gear box with terminal block 4P 4 mm². Provision for in-out wire, ½ nylon cable gland.
 Equipment: silicone rubber basket.
 Reflector: asymmetric, in frosted aluminium.

Download

DXF 2D
- 1820.dxf

Montaggi
- miniquadro 03-19.pdf



Code	Gear	Kg	Lumen-K-CRI	WTot	Base	Colour
530411-00	S	1.70	ALO 25---	0 W	GY 6.35	STAINLESS STEEL
530410-00	CELL	1.78	CDM-TM 20-1650lm-3000K-Ra 1b	24 W	GU6.5	STAINLESS STEEL

The reported luminous flux is the flux emitted by the light source with a tolerance of ± 10% compared to the indicated value. The W tot column indicates the total wattage absorbed by the system without exceeding 10% of the indicated