



Download

DXF 2D
- 1820.dxf

Montaggi
- miniquadro 03-19.pdf

1820 Miniquadro - wide beam



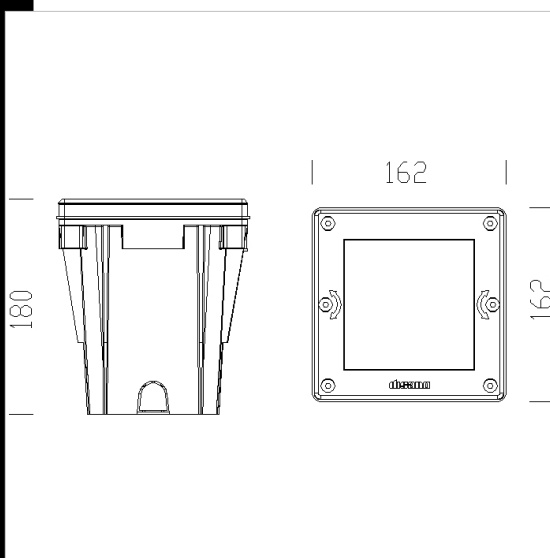
Housing: made of nylon. Frame: AISI 304 stainless steel. The equipment has passed the static load resistance test (EN 60598-2-13) with an applied weight of 40KN equal to 4000Kg.

Outer casing: nylon outer casing and terminal block. Separate wiring to reduce thermal shock on the components and to simplify the installation.

Electric gear: 220-240V/50-60Hz power supply. Nylon gear box with terminal block 4P 4 mm². Provision for in-out wire, 1/2 nylon cable gland.

Equipment: silicone rubber basket.

Reflector: wide beam, in frosted aluminium.



Code	Gear	Kg	Lumen-K-CRI	WTot	Base	Colour
530400-00	CELL	1,82	FLC 2x5S/E-250lm-4000K-Ra 1b	12 W	2G7	STAINLESS STEEL

The reported luminous flux is the flux emitted by the light source with a tolerance of ± 10% compared to the indicated value. The W tot column indicates the total wattage absorbed by the system without exceeding 10% of the indicated