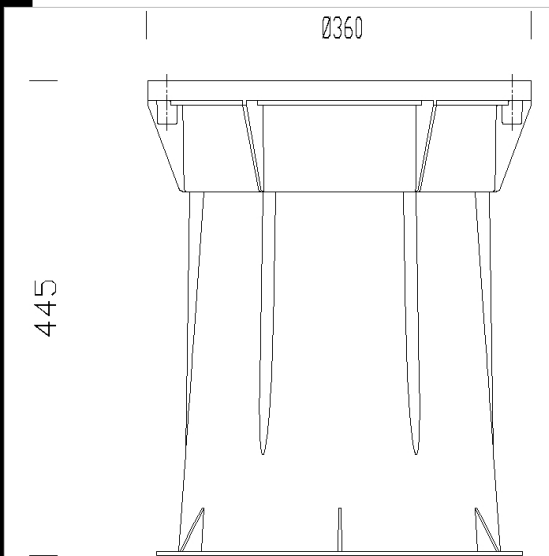


1861 Floor - low temperatures - swivelling - FM



Housing/Frame: in die-cast aluminium.
 Diffuser: clear tempered glass.
 Coating: in several stages. The first stage includes a grey epoxy cationic electro coating, resistant to corrosion and saline environments. Then it is coated with a UV stabilising primer; and finally it is finished with graphite acrylic paint.
 Electric gear: Hard wire with 0.50 mm² cross section and PVC-HT sheath, resistant at 90C in compliance with CEI 20-20 standards for FLC versions; and flexible wire with silicone insulation and 1mm² fibreglass braid for discharge version.
 Standard supply: complete with power supply cable. Supplied with outer case for recessed floor installation.
 Reflector: in hammered aluminium, anodically oxidised and polished



Code	Gear	Kg	Lumen-K-CRI	WTot	Base	Colour
530110-00	CNR-L	10.00	CDM-T 35-3500lm-3000K-Ra 1b	42 W	G12	GRAPHITE
530111-00	CNR-L	10.00	CDM-T 70-6600lm-3000K-Ra 1b	82 W	G12	GRAPHITE



Download
 DXF 2D
 - 1860.dxf

The reported luminous flux is the flux emitted by the light source with a tolerance of ± 10% compared to the indicated value. The W tot column indicates the total wattage absorbed by the system without exceeding 10% of the indicated