

1860 Floor - low temperatures - swivelling - FS



Housing/Frame: in die-cast aluminium.

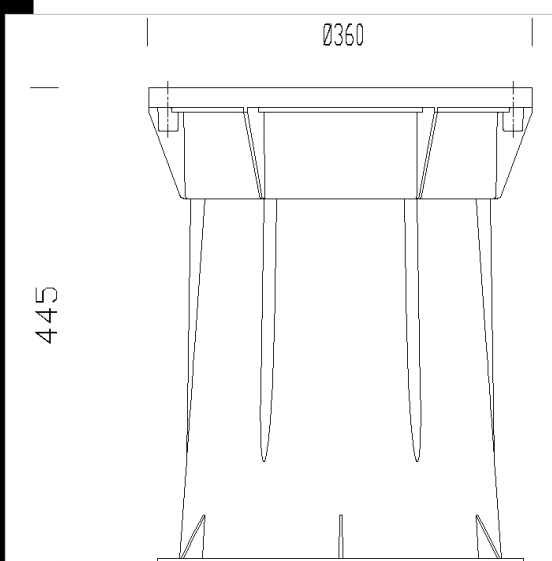
Diffuser: clear tempered glass.

Coating: in several stages. The first stage includes a grey epoxy cationic electro coating, resistant to corrosion and saline environments. Then it is coated with a UV stabilising primer; and finally it is finished with graphite acrylic paint.

Electric gear: Hard wire with 0.50 mm² cross section and PVC-HT sheath, resistant at 90C in compliance with CEI 20-20 standards for FLC versions; and flexible wire with silicone insulation and 1mm² fibreglass braid for discharge version.

Standard supply: complete with power supply cable. Supplied with outer case for recessed floor installation.

FS reflector: adjustable to +/- 20°, in aluminium 99.85, anodically oxidised and polished. It comes with control ring to prevent glare.



Code	Gear	Kg	Lumen-K-CRI	WTot	Base	Colour
530101-00	CNR-L	10.00	CDM-T 70-6600lm-3000K-Ra 1b	82 W	G12	GRAPHITE



Download

DXF 2D
- 1860.dxf

The reported luminous flux is the flux emitted by the light source with a tolerance of ± 10% compared to the indicated value. The W tot column indicates the total wattage absorbed by the system without exceeding 10% of the indicated