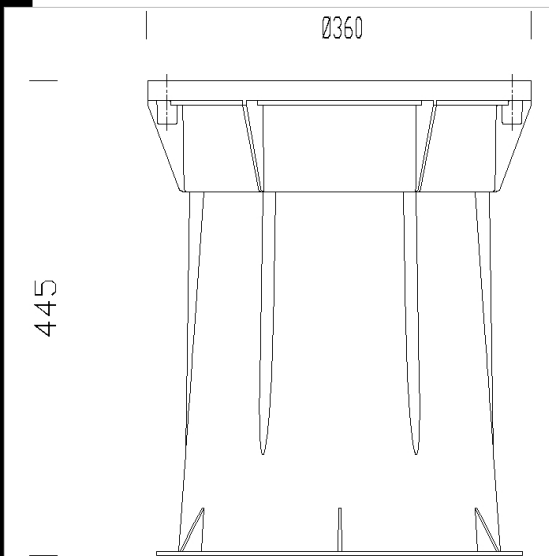


1861 Floor - low temperatures - swivelling - FM



Housing/Frame: in die-cast aluminium.
 Diffuser: clear tempered glass.
 Frame coating: in several stages. The first stage includes a grey epoxy cationic electro coating, resistant to corrosion and saline environments. Then it is coated with a UV stabilising primer; and finally it is finished with graphite acrylic paint.
 Electric gear: Hard wire with 0.50 mm² cross section and PVC-HT sheath, resistant at 90C in compliance with CEI 20-20 standards for FLC versions; and flexible wire with silicone insulation and 1mm² fibreglass braid for discharge version.
 Standard supply: complete with power supply cable. Supplied with outer case for recessed floor installation.
 Reflector: in hammered aluminium, anodically oxidised and polished



Code	Gear	Kg	Watt	Base	Lamps	Colour
530100-00	CNR-L	10,00	CDM-T 35	G12	3500lm-3000K-Ra 1b	GRAPHITE
530101-00	CNR-L	10,00	CDM-T 70	G12	6600lm-3000K-Ra 1b	GRAPHITE

CNRL

IP67

IK10

20°

Download
DXF 2D
- 1860.dxf