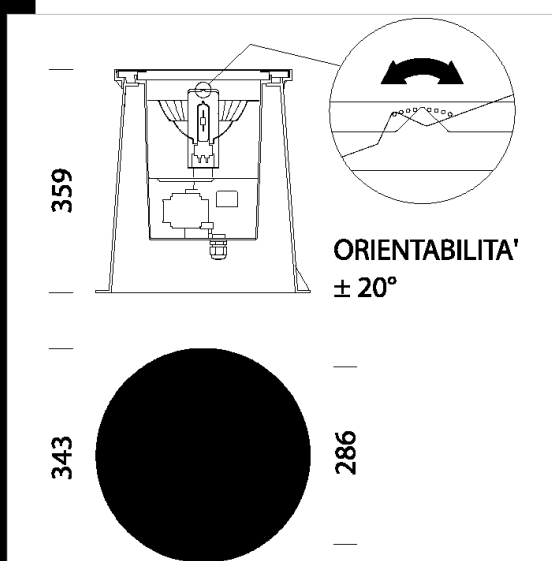


1858 Floor - swivelling in stainless steel AISI 316 - FL

Housing/Cover: in die-cast aluminium.
 Frame: in AISI 316L stainless steel.
 Diffuser: clear tempered glass, resistant to thermal shock, impact and static loads. For versions with CDM lamps and double glass.
 Electric gear: Hard wire with 0.50 mm² cross section and PVC-HT sheath, resistant at 90°C in compliance with CEI 20-20 standards for FLC versions; and flexible wire with silicone insulation and 1mm² fibreglass braid for discharge version.
 Standard supply: complete with power supply cable. Supplied with outer case for recessed floor installation.
 The fixture is composed of a luminaire and a nylon outer casing for recessed floor installation. The outer casing is designed to accept the power supply pipe (hole Ø 40) at 2 points. The masonry must be able to support a load of 4000 kg without strain. As the bottom is open to allow for draining, a gravel bed should be prepared at the time of installation. The required wiring is incorporated inside the luminaire.
 For usage information, please compare the fixture's characteristics with the system's specifications (EN 60598-2-13).
 FL reflector: adjustable +/- 20°, in aluminium 99,85, anodically oxidised and polished.
 Upon request: version with IP68 protection with gel watertight system at the bottom of the fixture (not suited for underwater installation).

Download
 DXF 2D
 - 1853.dxf
 Montaggi
 - 369_399 montaggio.dxf
 - floor_2011.pdf



Code	Gear	Kg	Lumen-K-CRI	WTot	Base	Colour
530081-00	CNR-L	7.00	CDM-T 70-6600lm-3000K-Ra 1b	82 W	G12	STAINLESS STEEL
530080-00	CNR-L	6.00	CDM-T 35-3500lm-3000K-Ra 1b	42 W	G12	STAINLESS STEEL

Accessories



- 369 connector



- 399 Connector for solid line



- 144 -

The reported luminous flux is the flux emitted by the light source with a tolerance of ± 10% compared to the indicated value. The W tot column indicates the total wattage absorbed by the system without exceeding 10% of the indicated