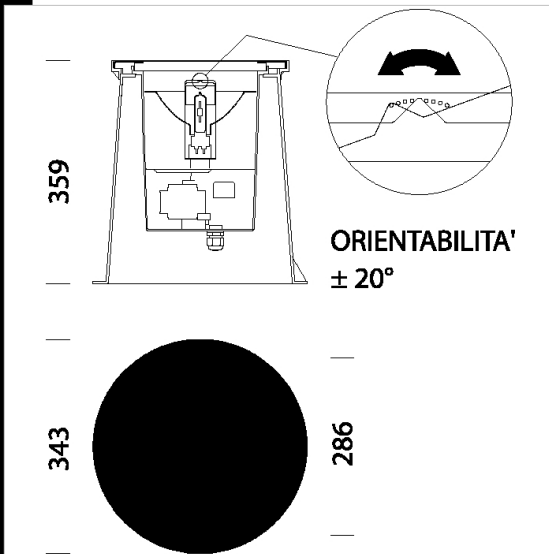


1851 Floor - swivelling - FS

Housing/Frame: in die-cast aluminium.
 Diffuser: clear tempered glass, resistant to thermal shock, impacts and static loads. For versions with CDM lamps and double glass.
 Frame coating: the standard powder coating consists of a first metal surface pre-treatment stage and of single layer of UV-stabilised, corrosion and salt resistant polyester powder coating.
 Electric gear: Hard wire with 0.50 mm² cross section and PVC-HT sheath, resistant at 90C in compliance with CEI 20-20 standards for FLC versions; and flexible wire with silicone insulation and 1mm² fibreglass braid for discharge version.
 Standard supply: complete with power supply cable. Supplied with outer case for recessed floor installation.
 The fixture is composed of a luminaire and a nylon outer casing for recessed floor installation. The outer casing is designed to accept the power supply pipe (hole \varnothing 40) at 2 points. The masonry must be able to support a load of 4000 kg without strain. As the bottom is open to allow for draining, a gravel bed should be prepared at the time of installation. The required wiring is incorporated inside the luminaire.
 For usage information, please compare the fixture's characteristics with the system's specifications (EN 60598-2-13).
 FS reflector: adjustable to +/- 20°, in aluminium 99.85, anodically oxidised and polished. It comes with control ring to prevent glare.
 Upon request: version with IP68 protection with gel watertight system at the bottom of the fixture (not suited for underwater installation)



Code	Gear	Kg	Lumen-K-CRI	WTot	Base	Colour
530011-00	CNR-L	7.00	CDM-T 70-6600lm-3000K-Ra 1b	82 W	G12	GRAPHITE
530010-00	CNR-L	6.00	CDM-T 35-3500lm-3000K-Ra 1b	42 W	G12	GRAPHITE

Accessories



- 369 connector



- 399 Connector for solid line

The reported luminous flux is the flux emitted by the light source with a tolerance of $\pm 10\%$ compared to the indicated value. The W tot column indicates the total wattage absorbed by the system without exceeding 10% of the indicated