

1843 Bitta 2 - wall mounting - Design: Lorenzo Stano

Apart from the purely functional purpose, outdoor lighting also has an aesthetic function.

A lighting fixture with small dimensions and the proper light beam angle can create amazing and stylish light effects.

This product was studied as a free-standing fixture equipped with a steel column or as a wall-mounted device.

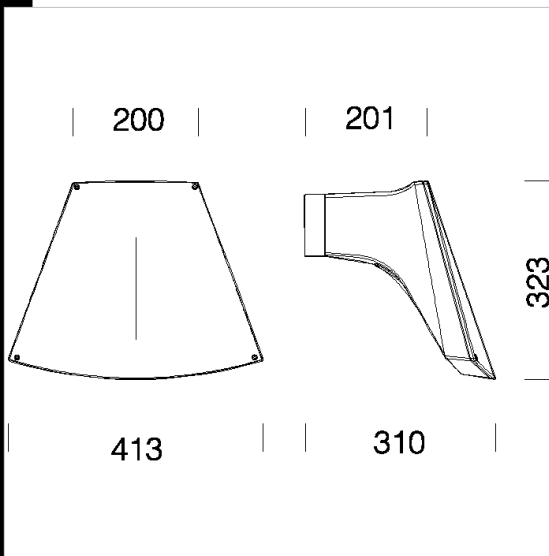
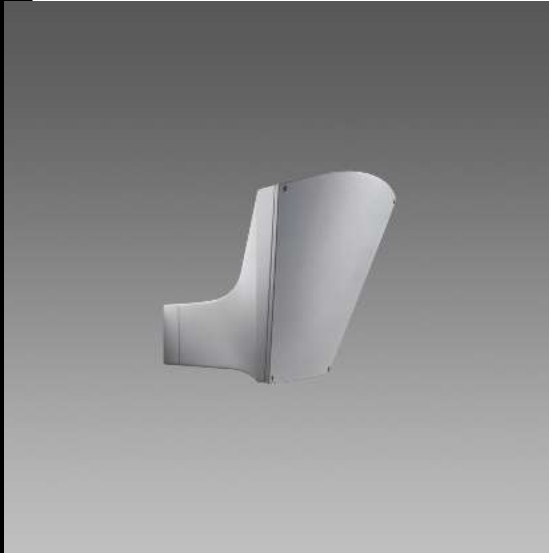
It also features great usage versatility and highly efficient and advanced technology

Housing/Base: in die-cast aluminium.

Diffuser: opal, shatterproof and self-extinguishing V2 polycarbonate, UV-stabilized.

Standard supply: the wall version comes with mounting connection.

Regulations: Produced according to applicable EN60598-1 CEI 34-21 standards, degree of protection according to EN 60529 standards.



Code	Gear	Kg	Lumen-K-CRI	WTot	Base	Colour
511470-00	CELL	3.68	JM-TS 70-6500lm-4200K-Ra 1b	85 W	Rx7s	GREY9007
511471-00	CELL	3.68	JM-TS 70-6500lm-4200K-Ra 1b	85 W	Rx7s	GRAPHITE
511472-00	CELL	3.68	JM-TS 70-6500lm-4200K-Ra 1b	85 W	Rx7s	ANTHRACITE
511475-00	CELL	2.68	FLC 2x26D/E-1800lm-4000K-Ra 1b	54 W	G24q-3	GREY9007
511477-00	CELL	2.68	FLC 2x26D/E-1800lm-4000K-Ra 1b	54 W	G24q-3	ANTHRACITE
511476-00	CELL	2.68	FLC 2x26D/E-1800lm-4000K-Ra 1b	54 W	G24q-3	GRAPHITE



Download

DXF 2D
- 1843.dxf

3DS
- disano_1843_bitta_2_wall.3ds

3DM
- disano_1843_bitta_2_wall.3dm

Montaggi
- bitta wall.dxf
- bitta.pdf

The reported luminous flux is the flux emitted by the light source with a tolerance of $\pm 10\%$ compared to the indicated value. The W tot column indicates the total wattage absorbed by the system without exceeding 10% of the indicated