

1880 Portofino - high version



Housing: In aluminium.

Diffuser: In vandal resistant and V2 self-extinguishing clear polycarbonate, UV-stabilized.

Painting: the standard liquid immersion coating consists of a first metal surface pre-treatment stage, a successive epoxy cataphoresis corrosion and salt resistant coating, and a final layer of bi-component acrylic liquid UV-stabilised coating.

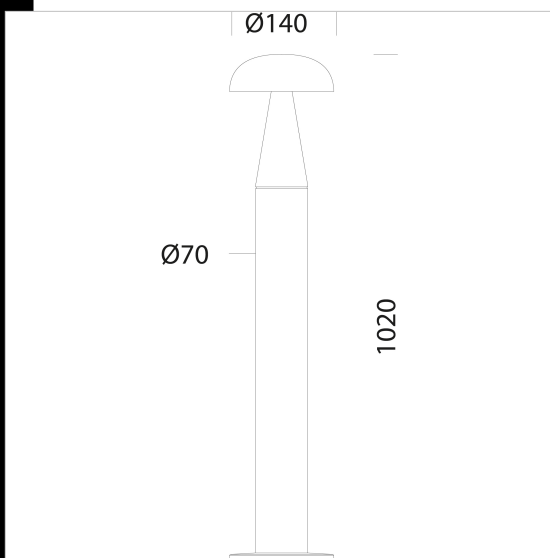
Regulations: Produced according to applicable EN60598-1 CEI 34-21 standards, IP degree of protection in compliance with EN 60529 standards.

Standard supply: with air recycle valve. Supplied with socket-pin connector for quick installation

Power factor: ≥ 0.9 .

life 50.000h to 70% L70B50

Photobiological safety class: exempt group EN62471



Code	Gear	Kg	Lumen Output-K-CRI	WTot	Colour
511195-00	CLD	2,56	LED-1360lm-4000K-CRI>80	18 W	GRAPHITE
511195-2191	CLD	1,70	LED-1360lm-4000K-CRI>80	18 W	CORTEN
511195-39	CLD	2,58	LED-1270lm-3000K-CRI>80	18 W	GRAPHITE



Download

DXF 2D
- 1880.dxf

3DS
- disano_1880_portofino.3ds

3DM
- disano_1880_portofino.3dm

Montaggi
- portofino.pdf

BIM
- 1880 Portofino - high version - 20200611.zip

The reported luminous flux is the flux emitted by the light source with a tolerance of $\pm 10\%$ compared to the indicated value. The W tot column indicates the total wattage absorbed by the system without exceeding 10% of the indicated