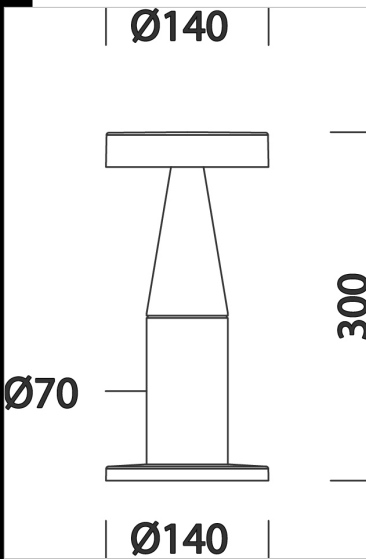




1874 Portofino - short version

Housing: In aluminium.
 Diffuser: In vandal resistant and V2 self-extinguishing clear polycarbonate, UV-stabilized.
 Painting: the standard liquid immersion coating consists of a first metal surface pre-treatment stage, a successive epoxy cataphoresis corrosion and salt resistant coating, and a final layer of bi-component acrylic liquid UV-stabilised coating.
 Regulations: Produced according to applicable EN60598-1 CEI 34-21 standards, IP degree of protection in compliance with EN 60529 standards.
 Standard supply: with air recycle valve. Supplied with socket-pin connector for quick installation
 Power factor: >= 0.9.
 life 50.000h to 70% L70B50
 Photobiological safety class: exempt group EN62471



- Download**
- DXF 2D
- 1874.dxf
 - 3DS
- disano_1874_portofino.3ds
 - 3DM
- disano_1874_portofino.3dm
 - Montaggi
- portofino.pdf
 - BIM
- 1874 Portofino - short version - 20200611.zip

Code	Gear	Kg	Lumen Output-K-CRI	WTot	Colour
511140-00	CLD	1.18	LED-801lm-4000K-CRI>80	10 W	GRAPHITE
511140-2191	CLD	1.05	LED-801lm-4000K-CRI>80	10 W	CORTEN
511140-39	CLD	1.20	LED-1270lm-3000K-CRI>80	10 W	GRAPHITE

The reported luminous flux is the flux emitted by the light source with a tolerance of ± 10% compared to the indicated value. The W tot column indicates the total wattage absorbed by the system without exceeding 10% of the indicated