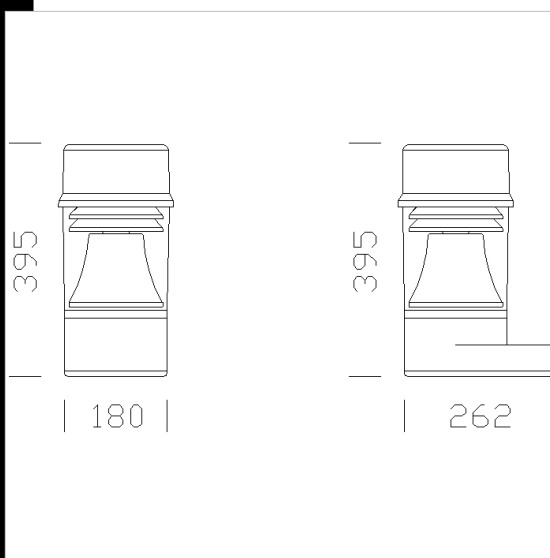


1735 Faro 4

Housing: In extruded aluminium, cylindrical section, Ø 180.
 Diffuser: In vandal resistant and V2 self-extinguishing clear polycarbonate, UV-stabilized. Louvre in anodized 99.85 aluminium.
 Painting: the standard liquid immersion coating consists of a first metal surface pre-treatment stage, a successive epoxy cataphoresis corrosion and salt resistant coating, and a final layer of bi-component acrylic liquid UV-stabilised coating.
 Lampholder: In white polycarbonate, with phosphor bronze contacts (FLC), socket G24q. In ceramics with silver-plated contacts. Socket E27.
 Electric gear: 230-240V/50Hz power supply. Hard wire, 0.50 sqmm cross-section, PVC-HT sheath resistant up to 90°C, according to CEI 20-20 standard, or silicone flexible wire terminated with quick-connect clamps in admiralty brass, glass braid, 1.0 sqmm cross-section. 2P+T terminal block, maximum allowed lead cross-section of 4 sqmm.
 Regulations: Produced according to applicable EN60598-1 CEI 34-21 standards, IP43IK10 degree of protection in compliance with EN 60529 standards.
 Non-polluting louvre, ideal for installation in zone 1 (UNI10819).

Download

- DXF 2D
- 1735.dxf
- 3DS
- disano_1735_faro_4.3ds
- 3DM
- disano_1735_faro_4.3dm
- Montaggi
- faro_faro3_faro4_tn.pdf



Code	Gear	Kg	Lumen-K-CRI	WTot	Base	Colour
511112-00	CNR-L	4.20	JM-E 70-4700lm-4000K-Ra 1b	82 W	E27	GRAPHITE
511110-08	CELL	3.30	FLC 1x26T/E-1800lm-4000K-Ra 1b	27 W	Gx24q-3	GRAPHITE

The reported luminous flux is the flux emitted by the light source with a tolerance of ± 10% compared to the indicated value. The W tot column indicates the total wattage absorbed by the system without exceeding 10% of the indicated