

1535 Faro 2 LED - wall version

Housing: In extruded aluminium, cylindrical section Ø 100, with cap in die-cast aluminium.

Diffuser: In clear plexiglass, scored inside and smooth outside, dustproof.

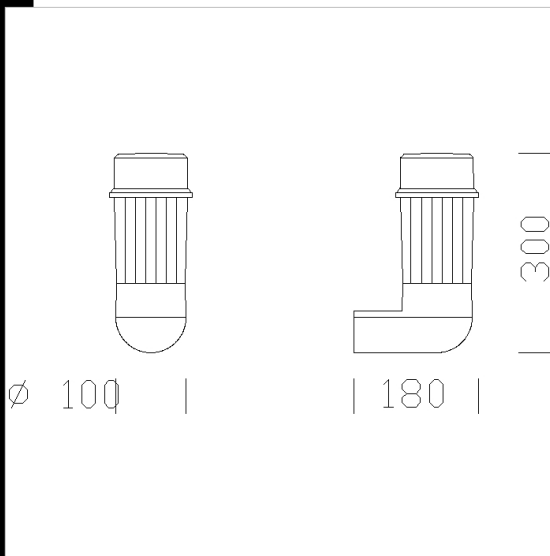
Painting: cycle de peinture liquide standard, par immersion, se compose de plusieurs phases : une première phase de prétraitement superficiel du métal, une couche de peinture cataphorèse résistante à la corrosion et au brouillard salin, une couche finale de peinture liquide acrylique bi-composante stabilisée aux rayons UV.

Standard supply: Wall mount plate.

Regulations: Produced according to applicable EN60598-1 CEI 34-21 standards, IP54IK03 degree of protection in compliance with EN 60529 standards.

Standard supply: complete air recycle valve. Supplied with socket-pin connector for quick installation

Working life: 80%: 50000h (L80B20) (from -30° to +50° C - Tj=25°C).



Download

DXF 2D

- 1534i.dxf

3DS

- disano_1535_faro_2_3ds

3DM

- disano_1535_faro_2_3dm

Montaggi

- faro 2 02-21.pdf

BIM

- 1535 Faro 2 LED - wall version - 20200528.zip

Code	Gear	Kg	Lumen Output-K-CRI	WTot	Colour
510460-00	CLD	1.21	LED-424lm-4000K-	8 W	GRAPHITE

The reported luminous flux is the flux emitted by the light source with a tolerance of ± 10% compared to the indicated value. The W tot column indicates the total wattage absorbed by the system without exceeding 10% of the indicated