



1531 Faro 2 LED - high version

Housing: In extruded aluminium, cylindrical section Ø 100, with cap in die-cast aluminium.

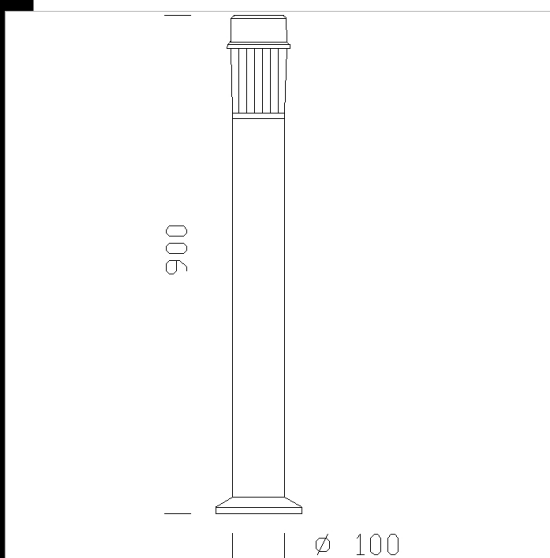
Diffuser: In clear plexiglass, scored inside and smooth outside, dustproof.

Painting: the standard liquid immersion coating consists of a first metal surface pre-treatment stage, a successive epoxy cataphoresis corrosion and salt resistant coating, and a final layer of bi-component acrylic liquid UV-stabilised coating.

Regulations: Produced according to applicable EN60598-1 CEI 34-21 standards, IP54IK03 degree of protection in compliance with EN 60529 standards.

Standard supply: with air recycle valve. Supplied with socket-pin connector for quick installation

Working life: 80%: 50000h (L80B20) (from -30° to +50° C - Ta=25°C).



Download

DXF 2D
- 15311.dxf

3DS
- disano_1531_faro_2_3ds

3DM
- disano_1531_faro_2_3dm

Montaggi
- faro 2 02-21.pdf

BIM
- 1531 Faro 2 LED - high version - 20200528.zip

Code	Gear	Kg	Lumen Output-K-CRI	WTot	Colour
510060-2191	CLD CELL	3,00	LED-424lm-4000K-	8 W	CORTEN
510060-00	CLD	3,00	LED-424lm-4000K-	8 W	GRAPHITE

The reported luminous flux is the flux emitted by the light source with a tolerance of ± 10% compared to the indicated value. The W tot column indicates the total wattage absorbed by the system without exceeding 10% of the indicated