

**Download**

- DXF 2D  
- 1530i.dxf
- 3DS  
- disano\_1530\_faro\_2.3ds
- 3DM  
- disano\_1530\_faro\_2.3dm
- Montaggi  
- faro2.pdf



**1530 Faro 2 -scored diffuser-high version**

Housing: In extruded aluminium, cylindrical section Ø 100, with cap in die-cast aluminium.

Diffuser: In clear plexiglass, scored inside and smooth outside, dustproof.

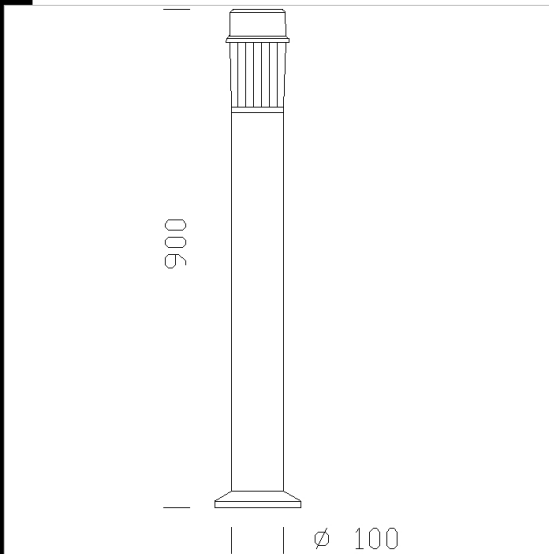
Painting: the standard liquid immersion coating consists of a first metal surface pre-treatment stage, a successive epoxy cataphoresis corrosion and salt resistant coating, and a final layer of bi-component acrylic liquid UV-stabilised coating.

Lampholder: In white polycarbonate, with phosphor bronze contacts, socket G23.

Electric gear: 230-240V/50Hz power supply. Hard wire, 0.50 sqmm cross section, and PVC-HT sheath, resistant up to 90°C, according to CEI 20-20 standards. 2P + T terminal block, with maximum allowed lead cross section of 2.5 sqmm.

Standard supply: With base and anchor bolts to bury

Regulations: Produced according to applicable EN60598-1 CEI 34-21 standards, IP54IK03 degree of protection in compliance with EN 60529 standards.



Code	Gear	Kg	Lumen-K-CRI	WTot	Base	Colour
510059-00	CN-L	3.00	FLC 2x9S---	25 W	G23	GRAPHITE

**Accessories**



- 78 baffle

The reported luminous flux is the flux emitted by the light source with a tolerance of ± 10% compared to the indicated value. The W tot column indicates the total wattage absorbed by the system without exceeding 10% of the indicated