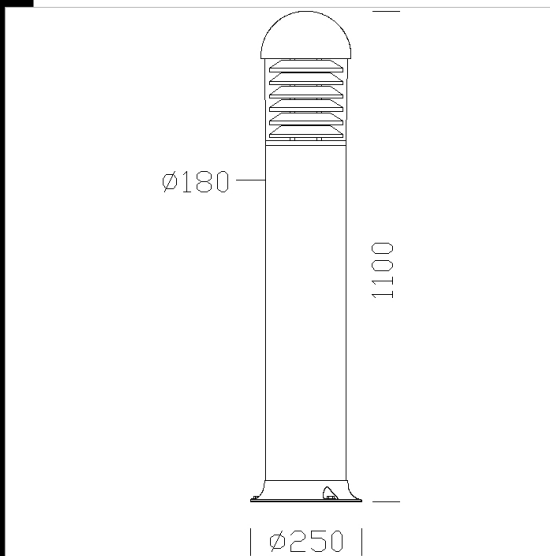


1237 Faro - high version

Housing: In extruded aluminium, cylindrical section, Ø 180.
 Diffuser: In vandal resistant and V2 self-extinguishing clear polycarbonate, UV-stabilized. Louvre in anodized 99.5 aluminium.
 Baffle louvre: in black die-cast aluminium.
 Painting: In several stages. First stage: black epoxy cationic electrocoating, upon chromate treatment, resistant to corrosive and saline environments. Second stage: UV-stabilizing primer, and lastly rough finish with sandblasted silver acrylic coating.
 Lampholder: In white polycarbonate, with phosphor bronze contacts (FLC), socket 2G11. In ceramics with silver-plated contacts. Socket E27.
 Electric gear: 230-240V/50Hz power supply. Hard wire, 0.50 sqmm cross-section, PVC-HT sheath resistant up to 90°C, according to CEI 20-20 standard, or silicone flexible wire terminated with quick-connect clamps in admiralty brass, glass braid, 1.0 sqmm cross-section. 2P+T terminal block, maximum allowed lead cross-section of 4 sqmm.
 Standard supply: With base and anchor bolts to bury. Supplied with socket-pin connector for quick installation and air recycle valve.
 Regulations: Produced according to applicable EN60598-1 CEI 34-21 standards, IP65IK10 degree of protection in compliance with EN 60529 standards. They have obtained ENEC European Certificate of Conformity.



Download

- DXF 2D
- 1237oi.dxf
- 3DS
- disano_1237_faro.3ds
- 3DM
- disano_1237_faro.3dm
- Montaggi
- faro_faro3_faro4_tn.pdf
- 1237.dxf

Code	Gear	Kg	Watt	Base	Lamps	Colour
510056-00	CNR-L	7,19				GRAPHITE
510050-00	CNR-L	7,11	SAP-E 70	E27	--	SANDBLASTED SILVER
510048-08	CELL	6,15	FLC 2x18L	2G11	1200lm-4000K-Ra 1b	SANDBLASTED SILVER
510058-00	CNR-L	7,09	CDO-TT 50	E27	4150lm-2800K-Ra 1b	GRAPHITE
510054-00	CNR-L	8,00	JM-E 70	E27	4700lm-4000K-Ra 1b	SANDBLASTED SILVER
510055-00	CNR-L	7,25	JM-E 70	E27	4700lm-4000K-Ra 1b	GRAPHITE
510057-08	CELL	6,65	FLC 2x18L	2G11	1200lm-4000K-Ra 1b	GRAPHITE