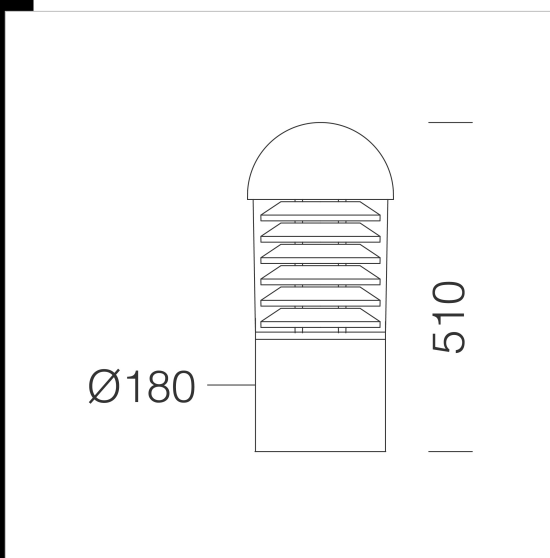




1232 Faro LED - short version

Housing: In extruded aluminium, cylindrical section, Ø 180.
 Diffuser: In vandal resistant and V2 self-extinguishing clear polycarbonate, UV-stabilized.
 Painting: the standard liquid immersion coating consists of a first metal surface pre-treatment stage, a successive epoxy cataphoresis corrosion and salt resistant coating, and a final layer of bi-component acrylic liquid UV-stabilised coating.
 Regulations: Produced according to applicable EN60598-1 CEI 34-21 standards, IP65IK10 degree of protection in compliance with EN 60529 standards.
 Standard supply: with air recycle valve. Supplied with socket-pin connector for quick installation
 Working life: 80%: 50000h (L80B20) (from -30° to +50° C - Tj=25°C).



Code	Gear	Kg	Lumen Output-K-CRI	WTot	Colour
510006-00	CLD	3,80	LED-813lm-4000K-CRI>80	9 W	GRAPHITE
510006-39	CLD	3,80	LED-758lm-3000K-CRI>80	9 W	GRAPHITE

The reported luminous flux is the flux emitted by the light source with a tolerance of ± 10% compared to the indicated value. The W tot column indicates the total wattage absorbed by the system without exceeding 10% of the indicated