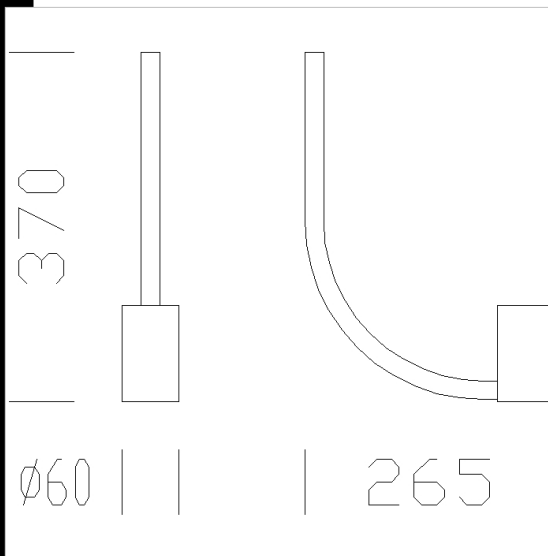
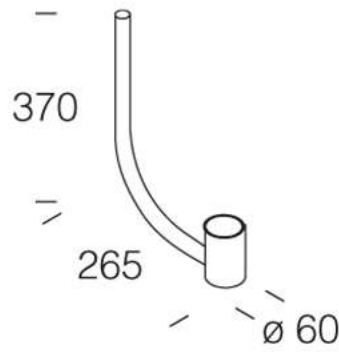


1370 arm

In tropicalized steel, cationic electrocoating, black, with rough finish. To be used together with acc. 1372 wall mount.



Code	Kg	WTot	Colour
441210-00	0,76	0 W	BLACK

Prodotti



- 1320 large base



- 1313 aluminum base CNRL



- 1350 sferico



- 1313 aluminium base S/CNR

The reported luminous flux is the flux emitted by the light source with a tolerance of $\pm 10\%$ compared to the indicated value. The W tot column indicates the total wattage absorbed by the system without exceeding 10% of the indicated